

CONTENTS

INDEX

SERIES	DESCRIPTION	PAGE
	General Information	358
	How to Order	359
SS01	FERRULE 1-WIER SKIVE HOSE	360
SN01	FERRULE 1-WIRE NON-SKIVE HOSE	360
SS02	FERULE 2-WIRE SKIVE HOSE	361
SN02	FERRULE 2-WIRE NON-SKIVE HOSE	361
MS00	FERRULE-MULTI-SPIRAL HOSE	362
HMS0	FERRULE-MULTISPIRAL HOSE(R9-R9R)	362
S001	BSP STRAIGHT FEMALE 30° SEAT ANGLE	363
S002	BSP STRALGHT FEMALE FLAT SEAT	364
S003	SAE STRALGHT FEMALE 45° SEAT ANGLE	365
S005	JIC STRALGHT FEMALE 37° SEAT ANGLE	366
S006	'O'-RING SEAL (ORS)FEMALE SWIVEL-STRAIGHT	367
S009	SAE45° FLARE MALE	368
S012	BSPP MALE	369
S013	BSPP MALE FLAT FACE	370
S015	BSPP MALE	371
S016	NPT MALE	372
S018	JIC37° FLARE MALE	373
S019	JIC BULKHEAD MALE 37° SEAT MALE	374
S020	UN'O'-RING BOSS MALE	375
S023	SAE STRAIGHT FLANGE	376
S026	BSP FEMALE INVERTED CONE 30° SEAT ANGLE(ST)	377
S051	BSP 90° SWEPT SLBOW	378
S055	JIG 90° SWEPT ELBOW 37° SEAT ANGLE	379
S056	ORS FEMALE SWIVEL 90° ELBOW	380
S059	SAE 90° SWEPT ELBOW FLANGE	381
S060	BSP 45° SWEPT ELBOW	382
S062	SAE 22-1/2° SWEPT ELBOW FLANGE	383
S063	SAE30° SWEPT ELBOW FLANGE	384
S064	JIC45° SWEPT ELBOW 37°SEAT ANGLE	385
S066	SAE 60° SWEPT ELBOW FLANGE	386
S067	SAE 67-1/2° SWEPT ELBOW FLANGE	387
S068	SAE45° SWEPT ELBOW FLANGE	388
S094	BANJO FOR BSP BOLTS	389
S095	BANJO FOR METRIC BOLTS	390
S096	LIFESAVER	391
S097	STANDPIPE-LIGHT DUTY	392
S098	STANDPIPE-HEAVY DUTY	393
S099	STANDPIPE-FRENCH TYPE	394
S551	BSP COMPACT ELBAW	395

CONTENTS

INDEX

SERIES	DESCRIPTION	PAGE
S555	JIC COMPACT ELBAW.....	396
S666	'ORS'FEMALE SWIVEL 45° ELBOW.....	397
S801	METRIC FEMALE60° SEAT ANGLE.....	398
S802	METRIC FEMALE-FLAT SEAT.....	399
S803	METRIC FEMALE-LIGHT DUTY TYPE 24° SEAT ANGLE.....	400
S804	METRC FEMALE-HEAVY DUTY 24° SEAT ANGLE.....	401
S805	METRC STRAIGHT FEMALE-FRENCH TYPE.....	402
S806	'O'-RING STRAIGHT FEMALE(DKO)HEAVY DUTY TYPE.....	403
S811	METRIC MALE 60° SEAT.....	404
S813	METRIC MALE 24° SEAT LIGHT DUTY TYPE(ST).....	405
S814	METRIC MALE 24° SEAT HEAVY DUTY TYPE (ST).....	406
S815	METRIC MALE-FRENCH TYPE(ST).....	407
S818	JIS 30° FLARE MALE(ST).....	408
S819	JIS BULKHEAD MALE 30° SEAT ANGLE(ST).....	409
S851	METRIC 90° SWEPT ELBOW 60° CONE(ST).....	410
S853	METRIC90° SWEPT ELBOW-LIGHT DUTY 24° SEAT (ST).....	411
S854	METRIC90° SWEPT ELBOW-HEAVY DUTY 24° SEAT(ST).....	412
S855	METRIC90° SWEPT ELBOW-FERNCH TYRE 24° SEAT(ST).....	413
S856	METRIC90° 'O'-RING SWEPT ELBOW (DKO)(ST).....	414
S861	METRIC45° SWEPT ELBOW 60° SEAT (ST).....	415
S863	METRIC45° SWEPT ELBOW-LIGHT DUTY 24° SEAT(ST).....	416
S864	METRIC45° SWEPT ELBOW-HEAVY DUTY 24° SEAT(ST).....	417
S865	METRIC45° SWEPT ELBOW FRENCH TYPE 24° SEAR(ST).....	418
S866	METRIC45° 'O'-RING SWEPT ELBOW (DKO)(ST).....	419
S870	JAPANESS METRIC FEMALE 30° SEAT(ST).....	420
S880	METRIC MALE WITH-'O'-RING GROOVE(ST).....	421
ADAB	BSPT-BSPP ADAPTORS.....	422
ADCA	BSPP FEMALE-BSPT ADAPTORS.....	422
ADCB	BSPP FEMALE-BSPP ADAPTORS.....	423
ADCN	BSPP FEMALE-UN-'O'-RING BOSS ADAPTORS.....	423
ADGA	JIC-BSPT ADAPTORS.....	424
ADGL	JIC-NPT ADAPTORS.....	424
ADNB	'O'-RING BOSS-BSPP ADAPTORS.....	425
ADGN	JIC-'O'-RING BOSS ADAPTORS.....	425
	SOLID PIECE RANGE AND CATERPILLAR® RANGE.....	426-432

General Information

- The standard fittings shown in this catalogue are made from quality steel machined to close tolerances.
- We also produce special fittings and related turned parts of steel or other materials on request.
- Rainbow-zinc plating with passivation on standard fittings – other protective finishing could also be supplied on request.
- Screw threads are machined to internationally accepted standards such as:

BSP	UN 1338	METRIC: ISO – 6H
JIC/SAE	Class 2	NPTF : ASA

It is recommended that our fittings should be used in sets. Mix use of our fittings with others could result in unsatisfactory performance of final products.

Legend

The legends following the part numbers indicate that:

- (S) Standard tail (R1 & R2)
- (L) Multispiral tail
- (N) Ferrules able to be used on R1T/R2T hose
- (V) Solid type
- (VS) Solid piece – standard tail
- (VL) Solid piece – multispiral tail
- Code 61 3000psi
- Code 62 6000psi
- Thrust-Wire Nut Fittings
- L Long Nut or Long Leg Fittings or Long tube
- HD Heavy Duty Nut Fittings or Caterpillar® or 9000 series
- NH No hole

Box Sizes

- Box 1 – 153mm(L) x 153mm(W) x 153mm (H)
- Box 2 - 254mm(L) x 153mm(W) x 153mm(H)
- Box 3 – 254mm(L) x 254mm(W) x 153mm(H)

Caterpillar® and Cat® are registered trademarks of Caterpillar Inc. All manufacturer's names, numbers, symbols and descriptions are used for reference purposes only and do not imply that any part listed is a product of these manufacturers.

We reserve the right to alter the design, specifications, or to discontinue the production of any items listed in this catalogue.



How to Order

The inserts and ferrules are supplied separately. Normally the inserts are common to all types of hoses, only the ferrules are required to match the hose to be used.

EXAMPLE 1

1-1/16" JIC Straight Female
To fit on 3/4" Nominal Bore, 2-wire SAE100R2T Non Skive Hose

Ferrule SN02-12
Insert S005-17-12 (S)

EXAMPLE 2

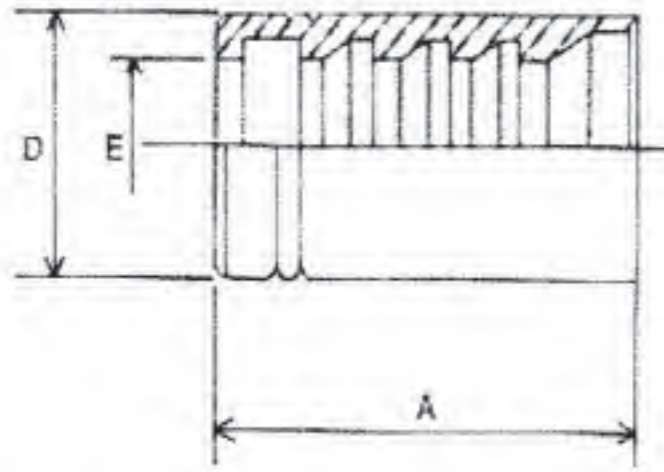
If the hose for above is 3/4" Nominal Bore, 2-wire SAE100RA Skive Hose

Ferrule SS02-12
Insert S005-17-12 (S)

EXAMPLE 3

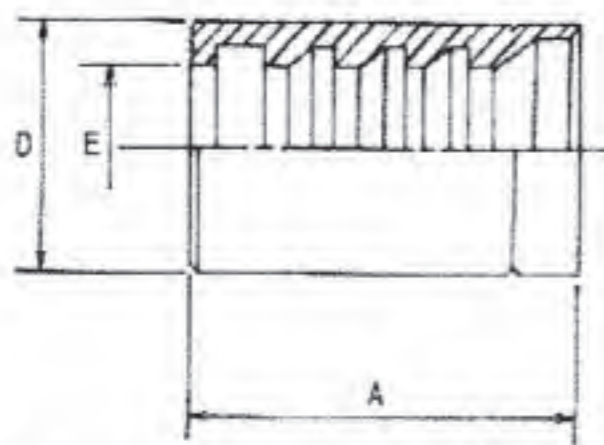
If the hose for above is 3/4" Nominal Bore, Multi-Spiral SAE100R9 Hose

Ferrule MS00-12
Insert S005-17-12 (L)



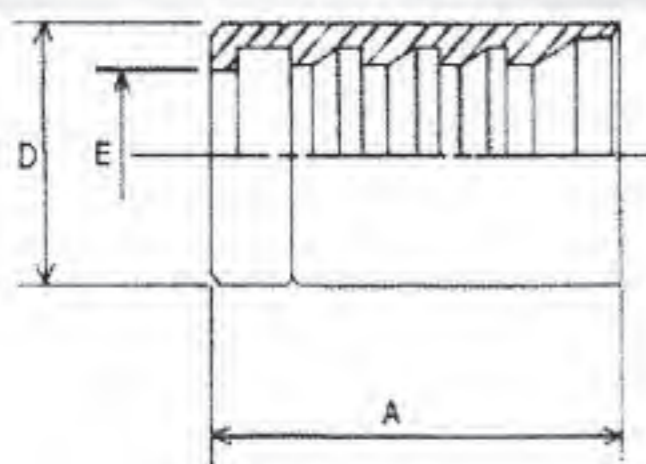
[Contents Page](#)

SS01 SERIES – FERRULE 1 – WIRE SKIVE HOSE									
PART NUMBER	HOSE BORE	THREAD	DIMENSIONS mm						
	I	T	A	B	C	D	E	H	L
SS01-04	1/4"		30			19	11.5		
SS01-06	3/8"		32			23	14		
SS01-08	1/2"		34			26	18.5		
SS01-10	5/8"		38			30	22		
SS01-12	3/4"		43			34	25		
SS01-16	1"		51			43	31		
SS01-20	1-1/4"		53			50	38		
SS01-24	1-1/2"		60			57	44.5		
SS01-32	2"		75			70	57.5		



[Contents Page](#)

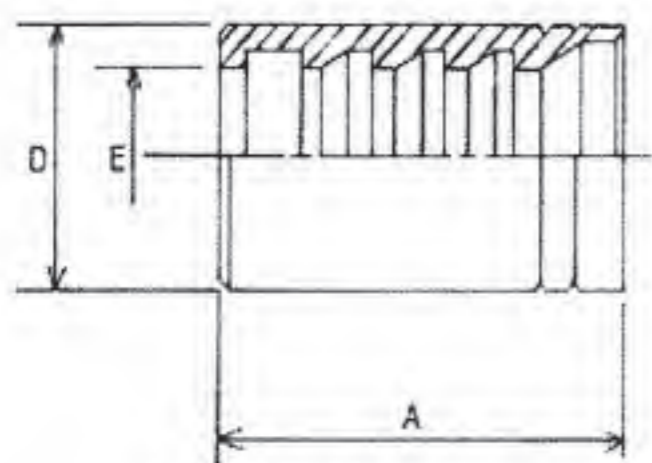
SN01 SERIES – FERRULE 1 – WIRE NON-SKIVE HOSE									
PART NUMBER	HOSE BORE	THREAD	DIMENSIONS mm						
	I	T	A	B	C	D	E	H	L
SN01-04	1/4"		30			20	11.5		
SN01-05	5/16"		30			20.5	12.7		
SN01-06	3/8"		32			23	14		
SN01-08	1/2"		34			26	18.5		
SN01-10	5/8"		38			30	22		
SN01-12	3/4"		43			34	25		
SN01-16	1"		51			43	31		
SN01-20	1-1/4"		59			50.8	38.5		
SN01-24	1-1/2"		63.5			59	44.8		
SN01-32	2"		78			73.5	57.5		



Contents page

SS02 SERIES – FERRULE 2 – WIRE SKIVE HOSE

PART NUMBER	HOSE BORE	THREAD	DIMENSIONS mm						
	I	T	A	B	C	D	E	H	L
SS02-04	1/4"		30			21	11.5		
SS02-06	3/8"		32			25	14		
SS02-08	1/2"		34			28	18.5		
SS02-10	5/8"		38			32	22		
SS02-12	3/4"		41			36	25		
SS02-16	1"		50			44	31		
SS02-20	1-1/4"		59			54	38		
SS02-24	1-1/2"		67			61	44.5		
SS02-32	2"		78			75	57.5		

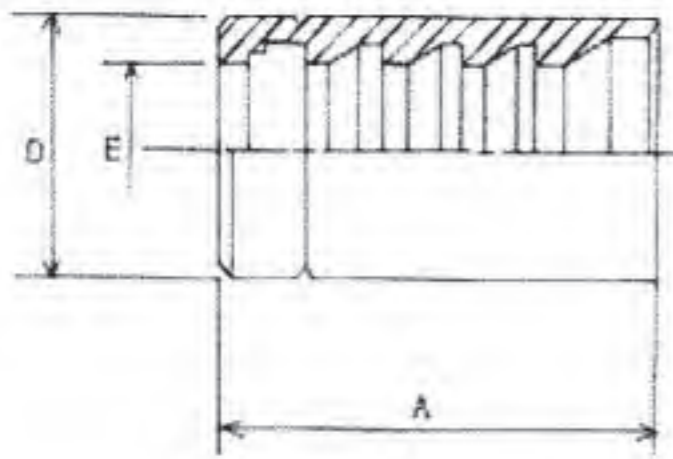


Contents page

SN02 SERIES – FERRULE 2 – WIRE NON-SKIVE HOSE

PART NUMBER	HOSE BORE	THREAD	DIMENSIONS mm						
	I	T	A	B	C	D	E	H	L
SN02-04	1/4"		30			21	11.5		
SN02-05	5/16"		31			23	12.9		
SN02-06	3/8"		32			25	14		
SN02-08	1/2"		34			30	18.5		
SN02-08(N)	1/2"		34			28	18.5		
SN02-10	5/8"		38			34	22		
SN02-10(N)	5/8"		38			32	22		
SN02-12	3/4"		43			38	25		
SN02-12(N)	3/4"		43			36	25		
SN02-16	1"		57			46	31		
SN02-20	1-1/4"		59			57	38		
SN02-24	1-1/2"		63.5			63.5	44.8		
SN02-32	2"		79			76.2	57.5		

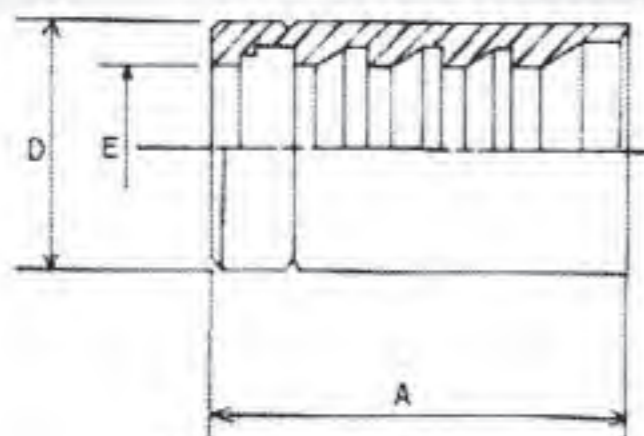
(N) – Ferrules able to be used on R1T/R2T hose



Contents Page

MS00 SERIES – FERRULE – MULTI-SPIRAL HOSE

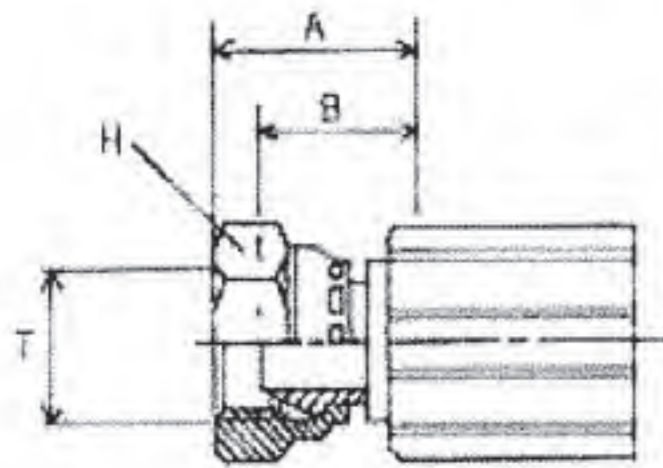
PART NUMBER	HOSE BORE	THREAD	DIMENSIONS mm						
	I	T	A	B	C	D	E	H	L
MS00-04	1/4"		32			23	11.5		
MS00-06	3/8"		32			25	14		
MS00-08	1/2"		44			30	18		
MS00-12	3/4"		52			38	25		
MS00-16	1"		65			46	31		
MS00-20	1-1/4"		77			57	38.5		
MS00-24	1-1/2"		86			63	43.5		
MS00-32	2"		98			80	57		



Contents Page

HMS0 SERIES – FERRULE – MULTISPIRAL HOSE (R9-R9R)

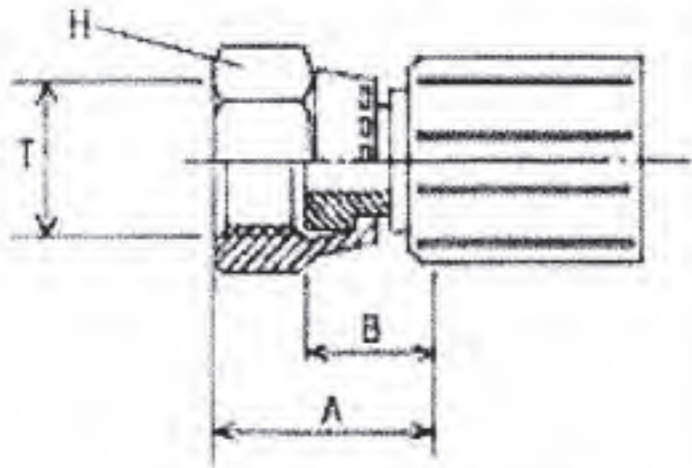
PART NUMBER	HOSE BORE	THREAD	DIMENSIONS mm						
	I	T	A	B	C	D	E	H	L
HMS0-04	1/4"		30			21	11.5		
HMS0-06	3/8"		32			25.4	14.5		
HMS0-08	1/2"		34			30	18		
HMS0-10	5/8"		37			34	22		
HMS0-12	3/4"		46			38	24.5		
HMS0-16	1"		50			46	31		
HMS0-20	1-1/4"		59			56	38.5		
HMS0-24	1-1/2"		76			62	44.8		
HMS0-32	2"		79			76	57		



Contents Page

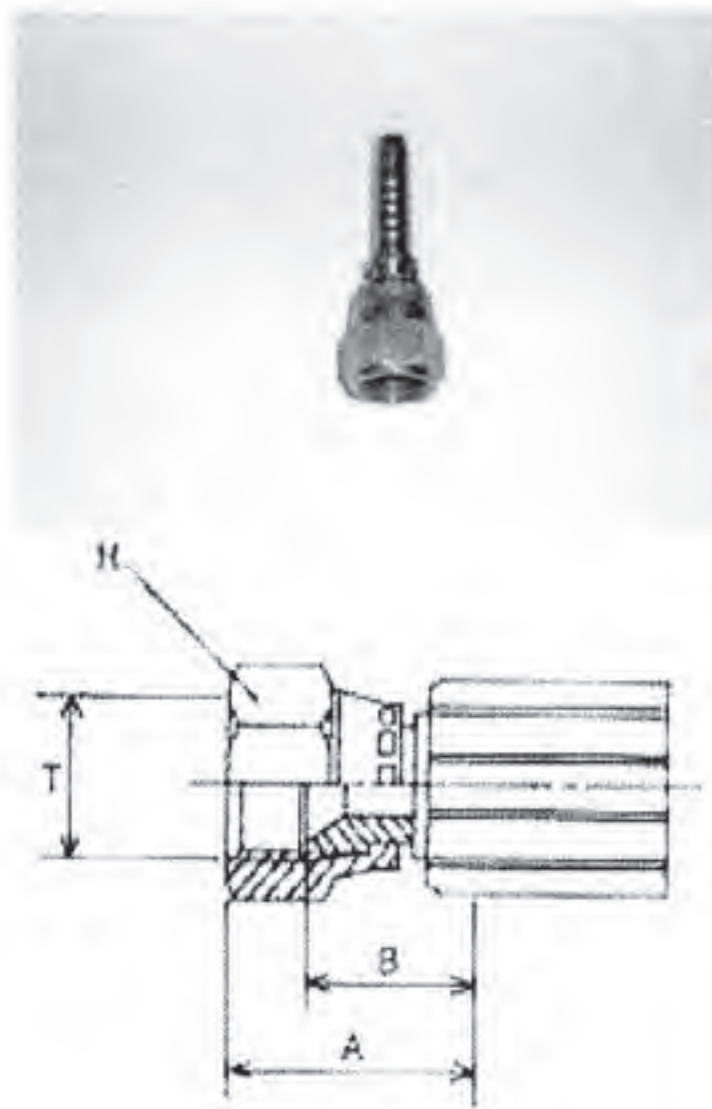
S001 SERIES – BSP STRAIGHT FEMALE 30° SEAT ANGLE – STANDARD TAIL									
PART NUMBER	HOSE BORE	THREAD	DIMENSIONS mm						
	I	T	A	B	C	D	E	H	L
S001-04-04 (S)	1/4"	1/4 – 19	22	18				19	
S001-06-06 (S)	3/8"	3/8 – 19	24	19				22	
S001-08-06 (S)	3/8"	1/2 – 14	26.5	20.5				26	
S001-08-08 (S)	1/2"	1/2 – 14	27	21				26	
S001-10-08 (S)	1/2"	5/8 – 14	31	24				29	
S001-10-10 (S)	5/8"	5/8 – 14	31	24				29	
S001-12-12 (S)	3/4"	3/4 – 14	31	25				32	
S001-16-16 (S)	1"	1" – 11	40	31				38	
S001-20-16 (S)	1"	1-1/4 – 11	59	47				50.8	
S001-20-20 (S)	1-1/4"	1-1/4 – 11	46.5	35.5				50.8	
S001-24-24 • (S)	1-1/2"	1-1/2 – 11	46.5	35.5				57	
S001-32-32 • (S)	2"	2" – 11	37	31				70	

S001 SERIES – BSP STRAIGHT FEMALE 30° SEAT ANGLE – MULTI SPIRAL TAIL									
PART NUMBER	HOSE BORE	THREAD	DIMENSIONS mm						
	I	T	A	B	C	D	E	H	L
S001-12-12 (L)	3/4"	3/4 – 14	31	25				32	
S001-16-16 (L)	1"	1" – 11	40	31				38	
S001-20-16 (L)	1"	1-1/4 – 11	59	47				50.8	
S001-20-20 (L)	1-1/4"	1-1/4 – 11	46.5	35.5				50.8	
S001-24-24 • (L)	1-1/2"	1-1/2 – 11	46.5	35.5				57	
S001-32-32 • (L)	2"	2" – 11	37	31				70	
S001-12-12HD (L)	3/4"	3/4 – 14	34	26.5				35	
S001-16-16HD (L)	1"	1" – 11	37.5	27.5				41	



Contents Page

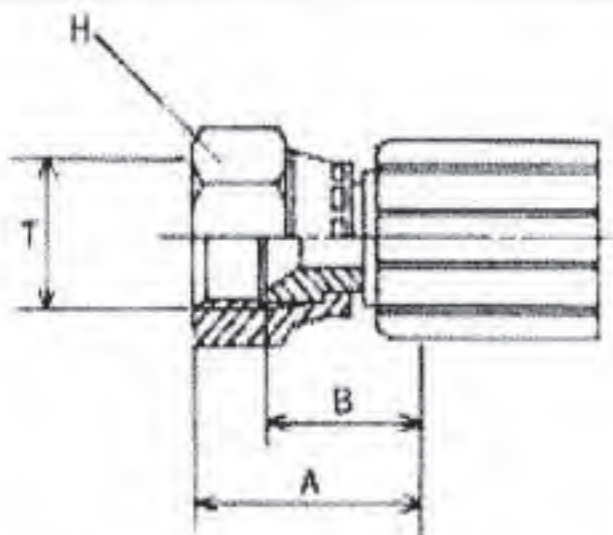
S002 SERIES – BSP STRAIGHT FEMALE FLAT SEAT									
PART NUMBER	HOSE BORE	THREAD	DIMENSIONS mm						
	I	T	A	B	C	D	E	H	L
S002-04-04 (S)	1/4"	1/4 – 19	22	16				19	
S002-06-06 (S)	3/8"	3/8 – 19	24.5	17				22	
S002-08-06 (S)	3/8"	1/2 – 14	27	17.7				26	
S002-06-08 (S)	1/2"	3/8 – 19	24.5	17				22	
S002-08-08 (S)	1/2"	1/2 – 14	27.5	18				26	
S002-12-08 (S)	1/2"	3/4 – 14	33	22.5				32	
S002-12-12 (S)	3/4"	3/4 – 14	34	22.5				32	
S002-16-16 (S)	1"	1" – 11	37.5	24.5				38	



Contents Page

S003 SERIES – SAE STRAIGHT FEMALE 45° SEAT ANGLE – STANDARD TAIL									
PART NUMBER	HOSE BORE	THREAD	DIMENSIONS mm						
	I	T	A	B	C	D	E	H	L
S003-07-04 (S)	1/4"	7/16 – 20	24.5	16				16	
S003-08-04 (S)	1/4"	1/2 – 20	24.5	16				19	
S003-10-06 (S)	3/8"	5/8 – 18	27	18				22	
S003-12-08 (S)	1/2"	3/4 – 16	31	21				22	
S003-14-08 (S)	1/2"	7/8 – 14	31	21				26	
S003-14-10 (S)	5/8"	7/8 – 14	31.5	22.5				26	
S003-17-12 (S)	3/4"	1-1/16 – 14	37	22.5				32	

S003 SERIES – SAE STRAIGHT FEMALE 45° SEAT ANGLE – MULTISPIRAL TAIL									
PART NUMBER	HOSE BORE	THREAD	DIMENSIONS mm						
	I	T	A	B	C	D	E	H	L
S003-17-12 (L)	3/4"	1-1/16 – 14	37	22.5				32	



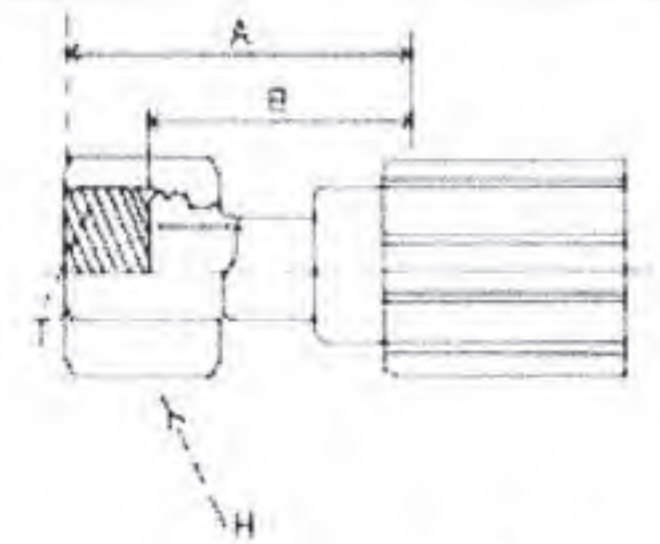
Contents Page

**S005 SERIES – JIC STRAIGHT FEMALE 37° SEAT ANGLE
– STANDARD TAIL**

PART NUMBER	HOSE BORE	THREAD	DIMENSIONS mm						
	I	T	A	B	C	D	E	H	L
S005-07-04 (S)	1/4"	7/16 – 20	24.5	16				16	
S005-08-04 (S)	1/4"	1/2 – 18	24.5	15				19	
S005-09-04 (S)	1/4"	9/16 – 18	25	16				19	
S005-09-06 (S)	3/8"	9/16 – 18	26.5	17.5				19	
S005-12-06 (S)	3/8"	3/4 – 16	30.5	20				22	
S005-14-06 (S)	3/8"	7/8 – 14	30	20.5				26	
S005-12-08 (S)	1/2"	3/4 – 16	31.5	21.5				22	
S005-14-08 (S)	1/2"	7/8 – 14	30.5	21				26	
S005-17-08 (S)	1/2"	1-1/16 – 12	35.5	21				32	
S005-14-10 (S)	5/8"	7/8 – 14	31.5	22.5				26	
S005-17-10 (S)	5/8"	1-1/16 – 12	36	21.5				32	
S005-17-12 (S)	3/4"	1-1/16 – 12	37	22.5				32	
S005-19-12 (S)	3/4"	1-3/16 – 12	37	23				35	
S005-21-12 (S)	3/4"	1-5/16 – 12	38	23				38	
S005-21-16 (S)	1"	1-5/16 – 12	38	24				38	
S005-26-20 (S)	1-1/4"	1-5/8 – 12	42	26				50.8	
S005-30-24 • (S)	1-1/2"	1-7/8 – 12	44.5	26				57	
S005-40-32 • (S)	2"	2-1/2 – 12	47	32				70	
S005-12-06HD (S)	3/8"	3/4 – 16	30.5	20.5				26	
S005-12-08HD (S)	1/2"	3/4 – 16	31	21				26	
S005-14-08HD (S)	1/2"	7/8 – 14	30.5	21				29	
S005-14-10HD (S)	5/8"	7/8 – 14	31	22				29	

**S005 SERIES – JIC STRAIGHT FEMALE 37° SEAT ANGLE
– MULTISPIRAL TAIL**

PART NUMBER	HOSE BORE	THREAD	DIMENSIONS mm						
	I	T	A	B	C	D	E	H	L
S005-17-12 (L)	3/4"	1-1/16 – 12	37	22.5				32	
S005-19-12 (L)	3/4"	1-3/16 – 12	37	23				35	
S005-21-12 (L)	3/4"	1-5/16 – 12	38	23				38	
S005-21-16 (L)	1"	1-5/16 – 12	38	24				38	
S005-26-20 (L)	1-1/4"	1-5/8 – 12	42	26				50.8	
S005-30-24 • (L)	1-1/2"	1-7/8 – 12	44.5	26				57	
S005-40-32 • (L)	2"	2-1/2 – 12	47	32				70	
S005-21-16HD (L)	1"	1-5/16 – 12	39	23.5				41	

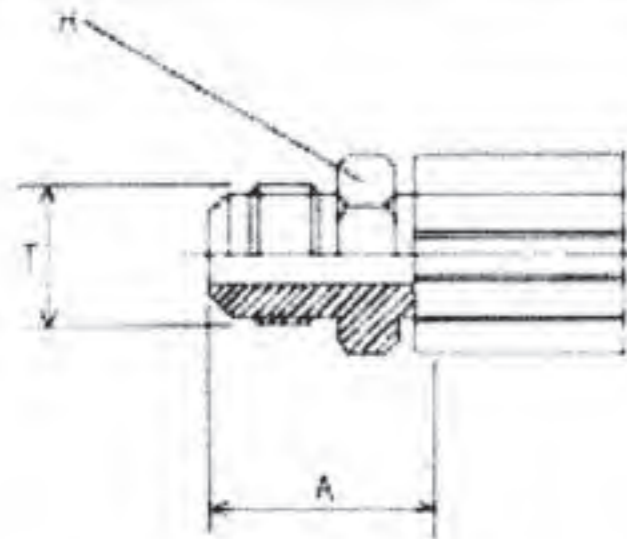


Contents Page

S006 SERIES – '0' – RING SEAL (ORS) FEMALE SWIVEL-STRAIGHT – STANDARD TAIL									
PART NUMBER	HOSE BORE	THREAD	DIMENSIONS mm						
	I	T	A	B	C	D	E	H	L
S006-09-04 (S)	1/4"	9/16 – 18	37	28.5				19	
S006-11-06 (S)	3/8"	11/16 – 16	40.5	31.5				22	
S006-13-08 (S)	1/2"	13/16 – 16	47	36				26	
S006-16-10 (S)	5/8"	1 – 14	54	41.5				32	
S006-19-12 (S)	3/4"	1-3/16 – 12	58	45				35	
S006-23-16 (S)	1"	1-7/16 – 12	63.5	49				44	
S006-27-20 (S)	1-1/4"	1-11/16 – 12	70.5	55.5				48	
S006-32-24 (S)	1-1/2"	2 – 12	68.5	55				57	

S006 SERIES – '0' – RING SEAL (ORS) FEMALE SWIVEL-STRAIGHT – MULTISPIRAL TAIL									
PART NUMBER	HOSE BORE	THREAD	DIMENSIONS mm						
	I	T	A	B	C	D	E	H	L
S006-19-12 (L)	3/4"	1-3/16 – 12	58	45				35	
S006-23-16 (L)	1"	1-7/16 – 12	63.5	49				44	
S006-27-20 (L)	1-1/4"	1-11/16 – 12	70.5	55.5				48	
S006-32-24 (L)	1-1/2"	2 – 12	68.5	55				57	

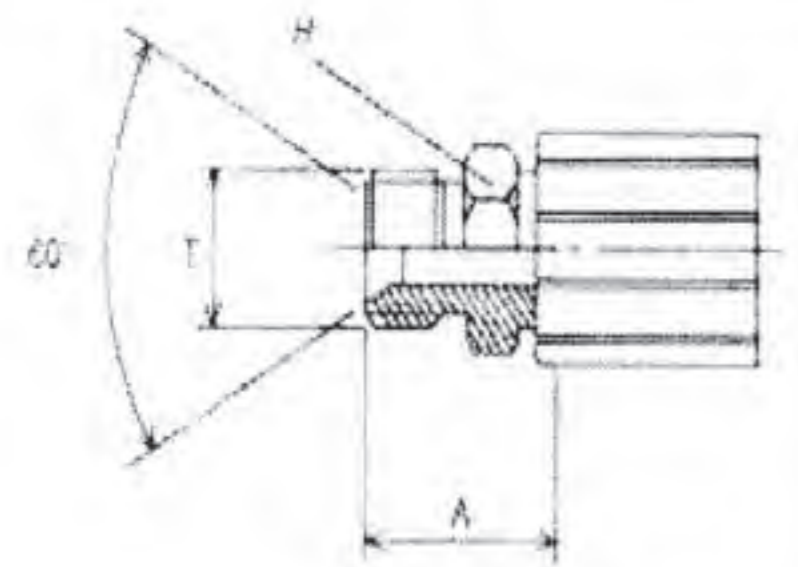




Contents Page

S009 SERIES – SAE 45° FLARE MALE – STANDARD SPIRAL									
PART NUMBER	HOSE BORE	THREAD	DIMENSIONS mm						
	I	T	A	B	C	D	E	H	L
S009-07-04 (S)	1/4"	7/16 – 20	27.5					12.7	
S009-08-04 (S)	1/4"	1/2 – 20	27.5					16	
S009-10-06 (S)	3/8"	5/8 – 18	28.5					19	
S009-12-08 (S)	1/2"	3/4 – 16	32					22	
S009-14-10 (S)	5/8"	7/8 – 14	34					26	
S009-17-12 (S)	3/4"	1-1/16 – 14	42					29	

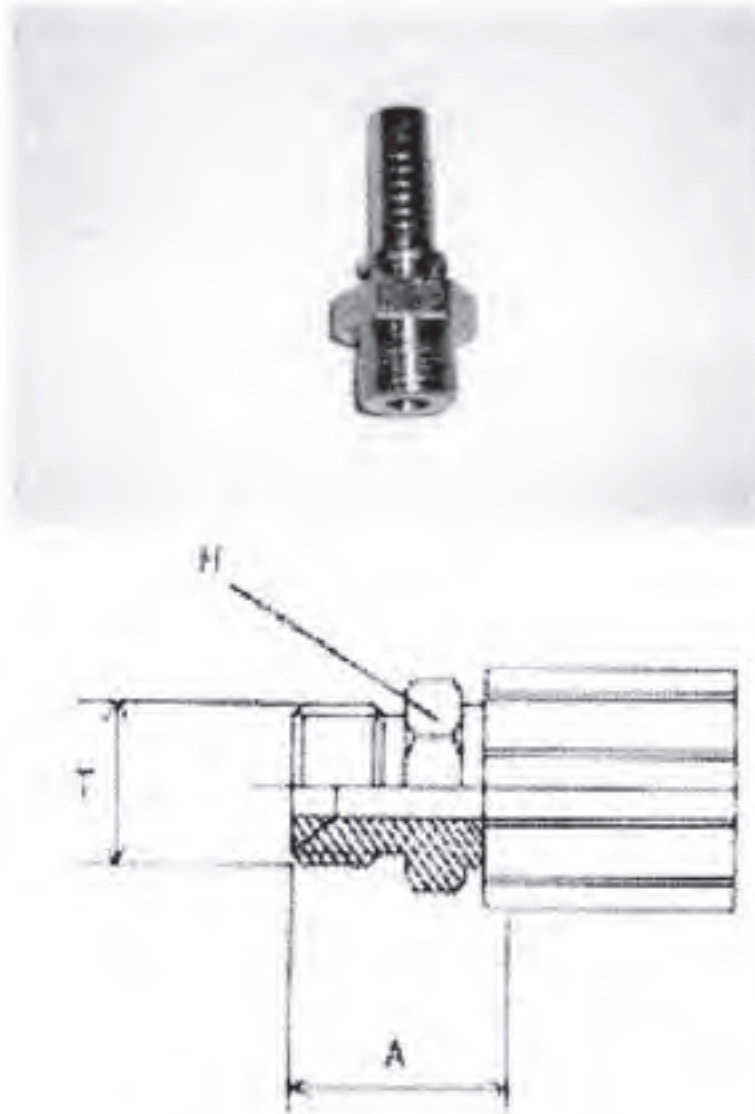
S009 SERIES – SAE 45° FLARE MALE – MULTISPIRAL TAIL									
PART NUMBER	HOSE BORE	THREAD	DIMENSIONS mm						
	I	T	A	B	C	D	E	H	L
S009-17-12 (L)	3/4"	1-1/16 – 14	42					29	



Contents Page

S012 SERIES – BSPP MALE – STANDARD TAIL									
PART NUMBER	HOSE BORE	THREAD	DIMENSIONS mm						
	I	T	A	B	C	D	E	H	L
S012-04-04 (S)	1/4"	1/4 - 19	25					19	
S012-06-06 (S)	3/8"	3/8 - 19	28.5					22	
S012-08-08 (S)	1/2"	1/2 - 14	31					26	
S012-10-10 (S)	5/8"	5/8 - 14	33					29	
S012-12-12 (S)	3/4"	3/4 - 14	38					32	
S012-16-16 (S)	1"	1" - 11	43					38	
S012-20-20 (S)	1 1/4"	1 1/4" - 11	48					48	

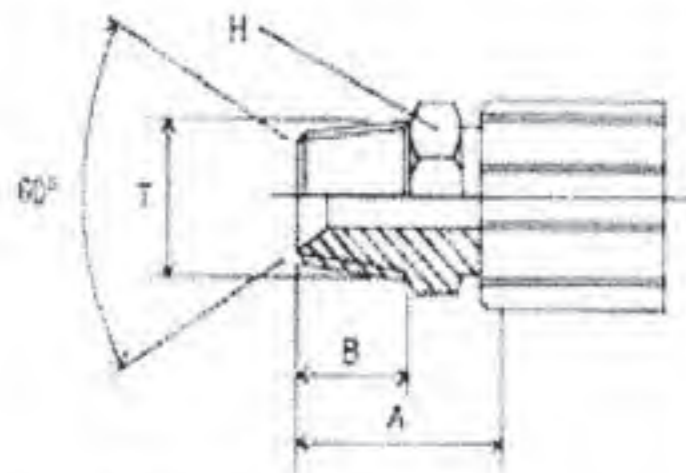
S012 SERIES – BSPP MALE – MULTISPIRAL TAIL									
PART NUMBER	HOSE BORE	THREAD	DIMENSIONS mm						
	I	T	A	B	C	D	E	H	L
S012-12-12 (L)	3/4"	3/4 - 14	38					32	
S012-16-16 (L)	1"	1" - 11	43					38	
S012-20-20 (L)	1 1/4"	1 1/4" - 11	48					48	



Contents Page

S013 – BSPP MALE FLAT FACE – STANDARD TAIL									
PART NUMBER	HOSE BORE	THREAD	DIMENSIONS mm						
	I	T	A	B	C	D	E	H	L
S013-04-04 (S)	1/4"	1/4 – 19	25					19	
S013-06-04 (S)	1/4"	3/8 – 19	25					22	
S013-06-06 (S)	3/8"	3/8 – 19	25.5					22	
S013-08-08 (S)	1/2"	1/2 – 14	30					26	
S013-12-10 (S)	5/8"	3/4 – 14	34.5					35	
S013-12-12 (S)	3/4"	3/4 – 14	36					35	
S013-16-12 (S)	3/4"	1" – 11	38					38	
S013-12-16 (S)	1"	3/4 – 14	38					35	
S013-16-16 (S)	1"	1 – 11	40					38	
S013-20-16 (S)	1"	1-1/4 – 11	42.5					48	

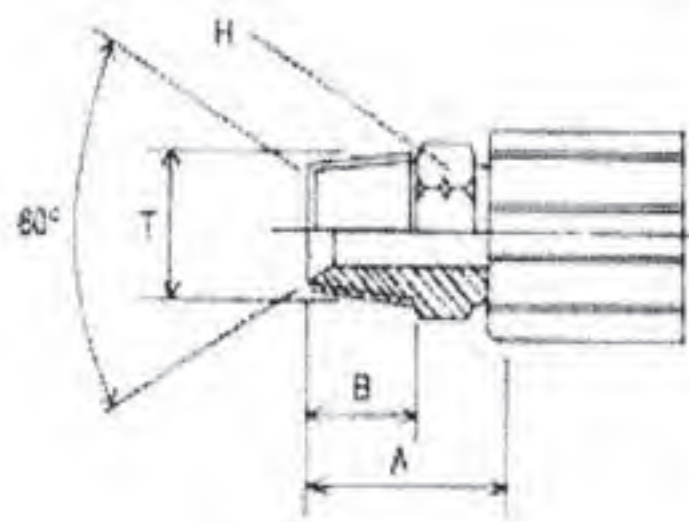
S013 – BSPP MALE FLAT FACE – MULTISPIRAL TAIL									
PART NUMBER	HOSE BORE	THREAD	DIMENSIONS mm						
	I	T	A	B	C	D	E	H	L
S013-12-12 (L)	3/4"	3/4 – 14	36					35	
S013-16-12 (L)	3/4"	1" – 11	38					38	
S013-12-16 (L)	1"	3/4 – 14	38					35	
S013-16-16 (L)	1"	1 – 11	40					38	
S013-20-16 (L)	1"	1-1/4 – 11	42.5					48	



Contents Page

S015 SERIES – BSPT MALE – STANDARD TAIL									
PART NUMBER	HOSE BORE	THREAD	DIMENSIONS mm						
	I	T	A	B	C	D	E	H	L
S015-02-04 (S)	1/4"	1/8 – 28	24	12.5				12.7	
S015-04-04 (S)	1/4"	1/4 – 19	25.5	12.5				16	
S015-04-06 (S)	3/8"	1/4 – 19	26	12.5				16	
S015-06-04 (S)	1/4"	3/8 – 19	28.5	14				19	
S015-06-06 (S)	3/8"	3/8 – 19	28.5	14				19	
S015-06-08 (S)	1/2"	3/8 – 19	28.5	14				19	
S015-08-08 (S)	1/2"	1/2 – 14	34	15				22	
S015-10-10 (S)	5/8"	5/8 – 14	34	15				26	
S015-12-12 (S)	3/4"	3/4 – 14	36	17				29	
S015-16-16 (S)	1"	1" – 11	43.5	19.5				35	
S015-20-20 (S)	1-1/4"	1-1/4 – 11	46.5	21.5				44	
S015-24-24 (S)	1-1/2"	1-1/2 – 11	47.5	21.5				48	
S015-32-32 (S)	2"	2" – 11	47.5	21.5				63.5	

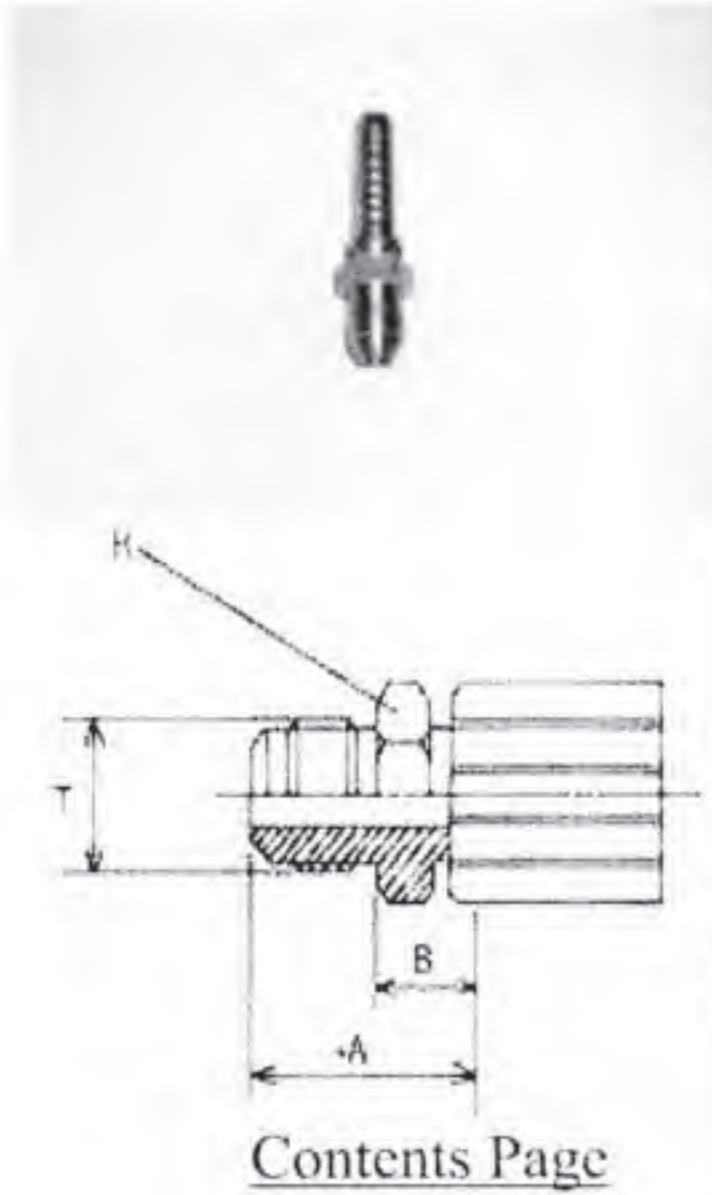
S015 SERIES – BSPT MALE – MULTISPIRAL TAIL									
PART NUMBER	HOSE BORE	THREAD	DIMENSIONS mm						
	I	T	A	B	C	D	E	H	L
S015-12-12 (L)	3/4"	3/4 – 14	36	17				29	
S015-16-16 (L)	1"	1" – 11	43.5	19.5				35	
S015-20-20 (L)	1-1/4"	1-1/4 – 11	46.5	21.5				44	
S015-24-24 (L)	1-1/2"	1-1/2 – 11	47.5	21.5				48	
S015-32-32 (L)	2"	2" – 11	47.5	21.5				63.5	



Contents Page

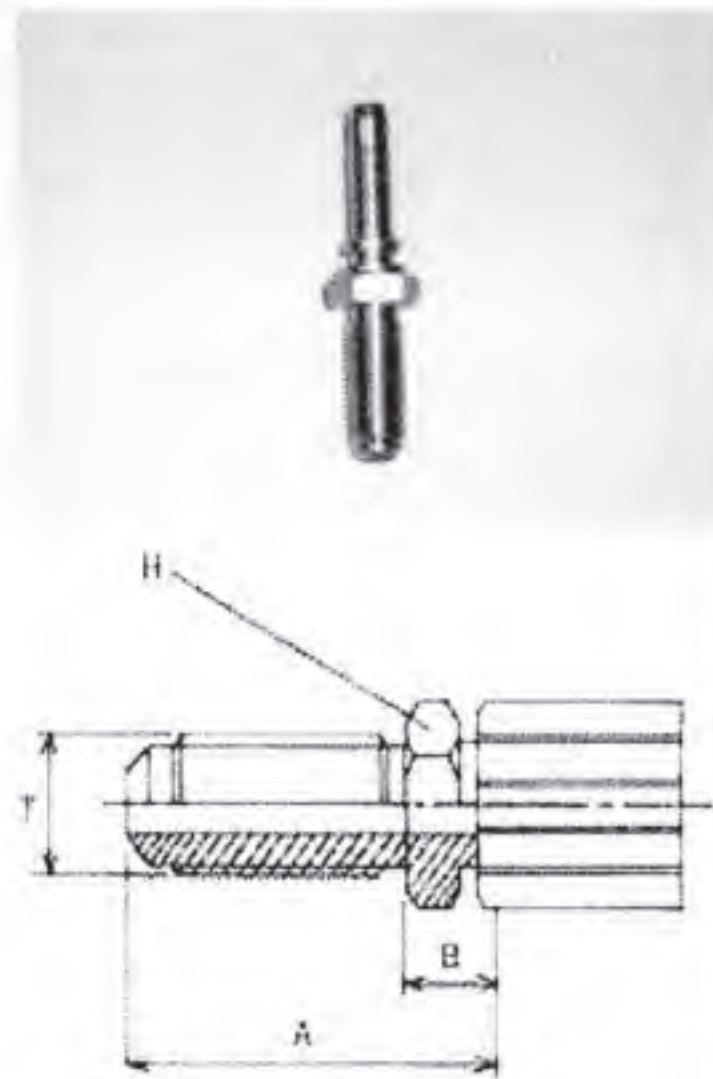
S016 SERIES – NPT MALE – STANDARD TAIL									
PART NUMBER	HOSE BORE	THREAD	DIMENSIONS mm						
	I	T	A	B	C	D	E	H	L
S016-02-04 (S)	1/4"	1/8 – 27	24	12.5				12.7	
S016-04-04 (S)	1/4"	1/4 – 18	25	12.5				16	
S016-06-04 (S)	1/4"	3/8 – 18	28	13.5				19	
S016-04-06 (S)	3/8"	1/4 – 18	26	12.5				16	
S016-06-06 (S)	3/8"	3/8 – 18	28.5	13.5				19	
S016-08-06 (S)	3/8"	1/2 – 14	34	15				22	
S016-06-08 (S)	1/2"	3/8 – 18	28.5	13.5				19	
S016-08-08 (S)	1/2"	1/2 – 14	34	15				22	
S016-12-12 (S)	3/4"	3/4 – 14	36	17				29	
S016-16-12 (S)	3/4"	1" – 11-1/2	41	19				35	
S016-16-16 (S)	1"	1" – 11-1/2	43.5	19				35	
S016-20-20 (S)	1-1/4"	1-1/4 – 11-1/2	46.5	21.5				44	
S016-24-24 (S)	1-1/2"	1-1/2 – 11-1/2	49.5	22.5				48	
S016-32-32 (S)	2"	2" – 11-1/2	49.3	22.5				63.5	

S016 SERIES – NPT MALE – MULTISPIRAL TAIL									
PART NUMBER	HOSE BORE	THREAD	DIMENSIONS mm						
	I	T	A	B	C	D	E	H	L
S016-12-12 (L)	3/4"	3/4 – 14	36	17				29	
S016-16-12 (L)	3/4"	1" – 11-1/2	41	19				35	
S016-16-16 (L)	1"	1" – 11-1/2	43.5	19				35	
S016-20-20 (L)	1-1/4"	1-1/4 – 11-1/2	46.5	21.5				44	
S016-24-24 (L)	1-1/2"	1-1/2 – 11-1/2	49.5	22.5				48	
S016-32-32 (L)	2"	2" – 11-1/2	49.3	22.5				63.5	



S018 SERIES – JIC 37° FLARE MALE – STANDARD TAIL									
PART NUMBER	HOSE BORE	THREAD	DIMENSIONS mm						
	I	T	A	B	C	D	E	H	L
S018-07-04 (S)	1/4"	7/16 – 20	27.5	13.5				12.7	
S018-08-04 (S)	1/4"	1/2 – 20	27.5	13.5				16	
S018-09-04 (S)	1/4"	9/16 – 18	28.5	13.5				16	
S018-09-06 (S)	3/8"	9/16 – 18	28.5	13.5				16	
S018-12-06 (S)	3/8"	3/4 – 16	31.5	14.5				22	
S018-14-06 (S)	3/8"	7/8 – 14	31.5	14.5				26	
S018-12-08 (S)	1/2"	3/4 – 16	32	15				22	
S018-14-08 (S)	1/2"	7/8 – 14	34	15				26	
S018-17-08 (S)	1/2"	1-1/16 – 12	41	18				29	
S018-14-10 (S)	5/8"	7/8 – 14	34	15				26	
S018-17-10 (S)	5/8"	1-1/16 – 12	41	18				29	
S018-17-12 (S)	3/4"	1-1/16 – 12	42	19				29	
S018-19-12 (S)	3/4"	1-3/16 – 12	43	19				32	
S018-21-12 (S)	3/4"	1-5/16 – 12	43	19				35	
S018-19-16 (S)	1"	1-3/16 – 12	43	19.5				32	
S018-21-16 (S)	1"	1-5/16 – 12	43.5	19.5				35	
S018-26-20 (S)	1-1/4"	1-5/8 – 12	48.5	27.5				44	
S018-30-24 (S)	1-1/2"	1-7/8 – 12	50	27.5				48	
S018-40-32 (S)	2"	2-1/2 – 12	56	24				65	

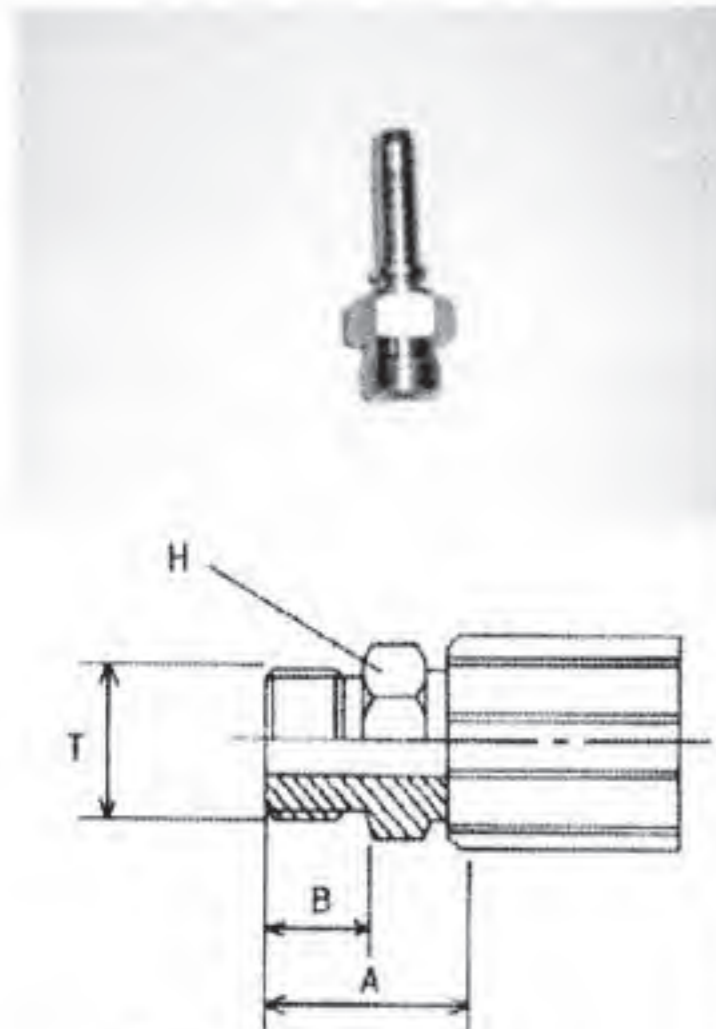
S018 SERIES – JIC 37° FLARE MALE – MULTISPIRAL TAIL									
PART NUMBER	HOSE BORE	THREAD	DIMENSIONS mm						
	I	T	A	B	C	D	E	H	L
S018-17-12 (L)	3/4"	1-1/16 – 12	42	19				29	
S018-19-12 (L)	3/4"	1-3/16 – 12	43	19				32	
S018-21-12 (L)	3/4"	1-5/16 – 12	43	19				35	
S018-19-16 (L)	1"	1-3/16 – 12	43	19.5				32	
S018-21-16 (L)	1"	1-5/16 – 12	43.5	19.5				35	
S018-26-20 (L)	1-1/4"	1-5/8 – 12	48.5	27.5				44	
S018-30-24 (L)	1-1/2"	1-7/8 – 12	50	27.5				48	
S018-40-32 (L)	2"	2-1/2 – 12	56	24				65	



Contents Page

S019 SERIES – JIC BULKHEAD MALE 37° SEAT ANGLE – STANDARD TAIL									
PART NUMBER	HOSE BORE	THREAD	DIMENSIONS mm						
	I	T	A	B	C	D	E	H	L
S019-07-04 (S)	1/4"	7/16 – 20	48	14				12.7	
S019-08-04 (S)	1/4"	1/2 – 20	48	14				16	
S019-09-04 (S)	1/4"	9/16 – 18	48	14				16	
S019-10-04 (S)	1/4"	5/8 – 18	48	14				19	
S019-10-06 (S)	3/8"	5/8 – 18	47	15				19	
S019-12-08 (S)	1/2"	3/4 – 16	50	15				22	
S019-17-08 (S)	1/2"	1-1/16 – 12	61	18				29	
S019-17-10 (S)	5/8"	1-1/16 – 12	61	18				29	
S019-17-12 (S)	3/4"	1-1/16 – 12	61.5	19				29	
S019-21-12 (S)	3/4"	1-5/16 – 12	61	19				35	

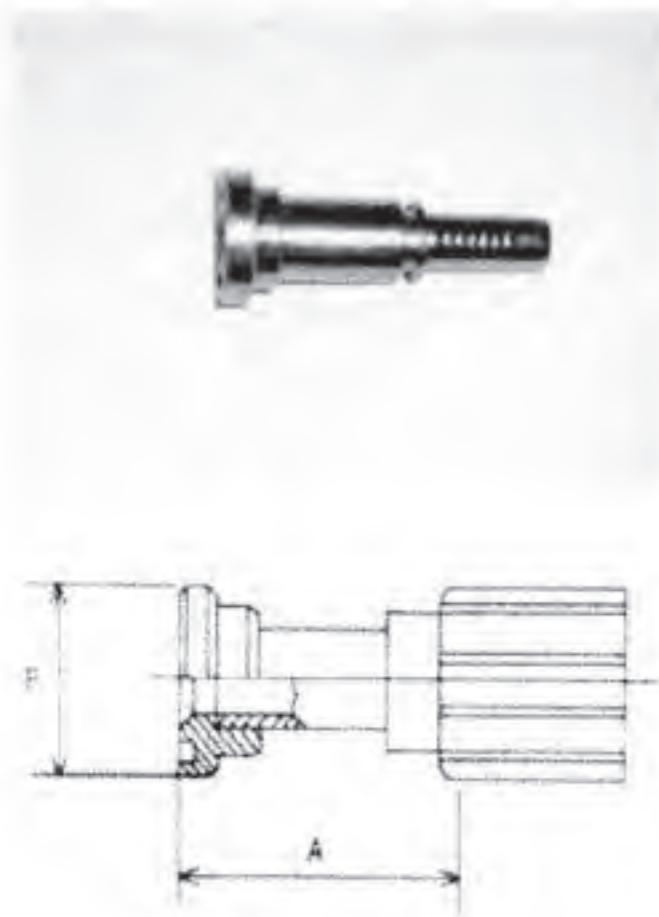
S019 SERIES – JIC BULKHEAD MALE 37° SEAT ANGLE – MULTISPIRAL TAIL									
PART NUMBER	HOSE BORE	THREAD	DIMENSIONS mm						
	I	T	A	B	C	D	E	H	L
S019-17-12 (L)	3/4"	1-1/16 – 12	61.5	19				29	
S019-21-12 (L)	3/4"	1-5/16 – 12	61	19				35	



Contents Page

S020 SERIES – UN '0' – RING BOSS MALE – STANDARD TAIL									
PART NUMBER	HOSE BORE	THREAD	DIMENSIONS mm						
	I	T	A	B	C	D	E	H	L
S020-08-04 (S)	1/4"	1/2 – 20	22	12.5				16	
S020-08-06 (S)	3/8"	1/2 – 20	22	12.5				16	
S020-09-06 (S)	3/8"	9/16 – 18	23.5	13.5				19	
S020-12-06 (S)	3/8"	3/4 – 16	26	15				22	
S020-14-06 (S)	3/8"	7/8 – 14	28	15				26	
S020-12-08 (S)	1/2"	3/4 – 16	26	15				22	
S020-14-08 (S)	1/2"	7/8 – 14	28	15				26	
S020-17-08 (S)	1/2"	1-1/16 – 12	31	16				32	
S020-14-10 (S)	5/8"	7/8 – 14	29.5	15				26	
S020-17-10 (S)	5/8"	1-1/16 – 12	30	16				32	
S020-17-12 (S)	3/4"	1-1/16 – 12	32	16				32	
S020-19-12 (S)	3/4"	1-3/16 – 12	32	17				35	
S020-21-12 (S)	3/4"	1-5/16 – 12	32.5	17.5				38	
S020-21-16 (S)	1"	1-5/16 – 12	32.5	17.5				38	
S020-26-20 (S)	1-1/4"	1-5/8 – 12	36.5	17.5				48	
S020-30-24 (S)	1-1/2"	1-7/8 – 12	38	17.5				56	
S020-40-32 (S)	2"	2-1/2 – 12	39.5	17.5				70	

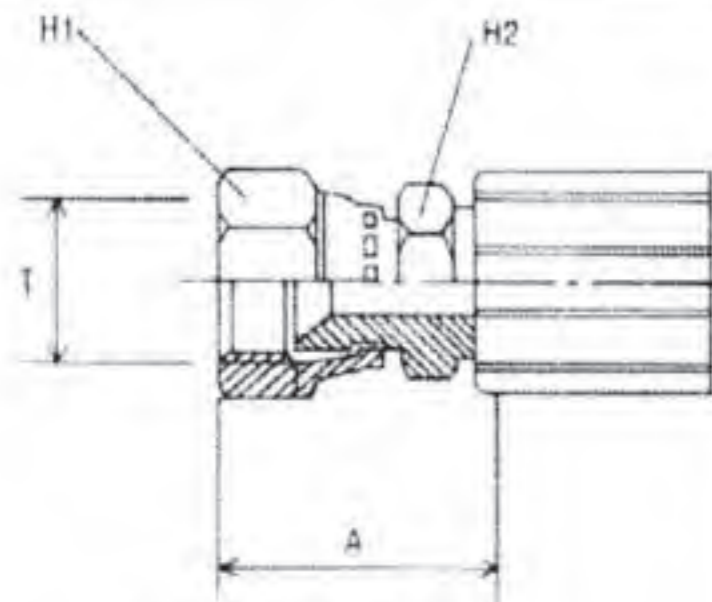
S020 SERIES – UN '0' – RING BOSS MALE – MULTISPIRAL TAIL									
PART NUMBER	HOSE BORE	THREAD	DIMENSIONS mm						
	I	T	A	B	C	D	E	H	L
S020-17-12 (L)	3/4"	1-1/16 – 12	32	16				32	
S020-19-12 (L)	3/4"	1-3/16 – 12	32	17				35	
S020-21-12 (L)	3/4"	1-5/16 – 12	32.5	17.5				38	
S020-21-16 (L)	1"	1-5/16 – 12	32.5	17.5				38	
S020-26-20 (L)	1-1/4"	1-5/8 – 12	36.5	17.5				48	
S020-30-24 (L)	1-1/2"	1-7/8 – 12	38	17.5				56	
S020-40-32 (L)	2"	2-1/2 – 12	39.5	17.5				70	



Contents Page

S023 SERIES – SAE STRAIGHT FLANGE SOLID PIECE – STANDARD TAIL									
PART NUMBER	HOSE BORE	FLANGE	DIMENSIONS mm						
	I	F	A	B	C	D	E	H	SAE J1518C CODE
S023-08-08 (VS)	1/2"	30	53						61
S023-10-08 (VS)	1/2"	34	53						61
S023-10-10 (VS)	5/8"	34	53						61
S023-12-08 (VS)	1/2"	38	53						61
S023-12-10 (VS)	5/8"	38	53						61

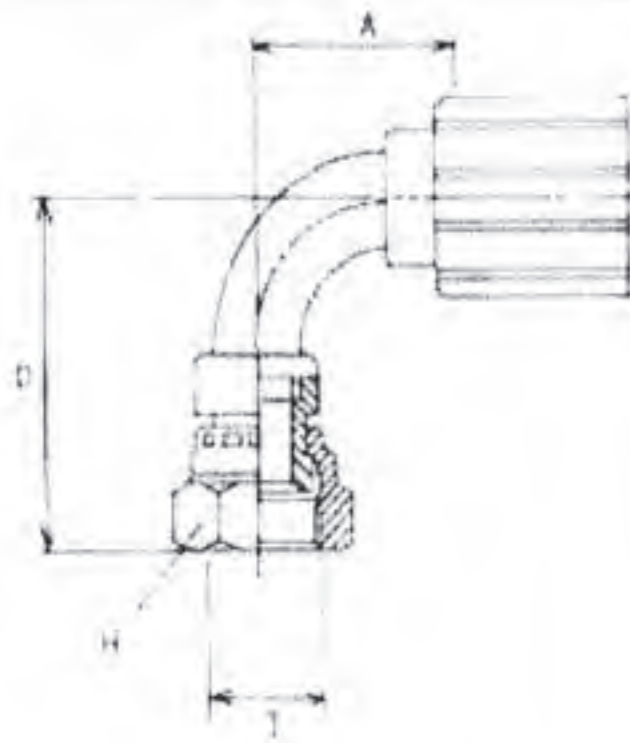
S023 SERIES – SAE STRAIGHT FLANGE SOLID PIECE – MULTISPIRAL TAIL									
PART NUMBER	HOSE BORE	FLANGE	DIMENSIONS mm						
	I	F	A	B	C	D	E	H	SAE J1518C CODE
S023-12-12 (VL)	3/4"	38	53						61
S023-14-12 (VL)	3/4"	41.4	53						62
S023-16-12 (VL)	3/4"	44	52						61
S023-18-12 (VL)	3/4"	48	57						62
S023-16-16 (VL)	1"	44	55						61
S023-18-16 (VL)	1"	48	62						62
S023-20-16 (VL)	1"	50.8	57						61
S023-24-16 (VL)	1"	60	57						61
S023-20-20 (VL)	1-1/4"	50.8	64						61
S023-22-20 (VL)	1-1/4"	54.1	64						62
S023-24-20 (VL)	1-1/4"	60	66						61
S023-24-24 (VL)	1-1/2"	60	66						61
S023-26-24 (VL)	1-1/2"	63.5	66						62
S023-32-32 (VL)	2"	71.3	82						61
S023-12-12 (VL) L	3/4"	38	93						61
S023-16-16 (VL) L	1"	44	108						61
S023-20-16 (VL) L	1"	50.8	108						61



Contents Page

S026 SERIES – BSP FEMALE INVERTED CONE 30° SEAT ANGLE – STANDARD TAIL									
PART NUMBER	HOSE BORE	THREAD	DIMENSIONS mm						
	I	T	A	B	C	D	E	H1	H2
S026-02-04 (S)	1/4"	1/8 – 28	20					16	12.7
S026-04-04 (S)	1/4"	1/4 – 19	20					19	12.7
S026-06-04 (S)	1/4"	3/8 – 19	21					22	16
S026-04-06 (S)	3/8"	1/4 – 19	21					19	16
S026-06-06 (S)	3/8"	3/8 – 19	23					22	16
S026-08-06 (S)	3/8"	1/2 – 14	25					26	22
S026-08-08 (S)	1/2"	1/2 – 14	27					26	22
S026-12-08 (S)	1/2"	3/4 – 14	32					32	26
S026-12-12 (S)	3/4"	3/4 – 14	31					32	26
S026-16-16 (S)	1"	1" – 11	40					38	32
S026-20-20 (S)	1-1/4"	1-1/4 – 11	45					50.8	44
S026-24-24 • (S)	1-1/2"	1-1/2 – 11	45					57	46
S026-04-04L (S)	1/4"	1/4 – 19	27					19	12.7
S026-06-06L (S)	3/8"	3/8 – 19	29					22	16
S026-08-08L (S)	1/2"	1/2 – 14	30					26	22

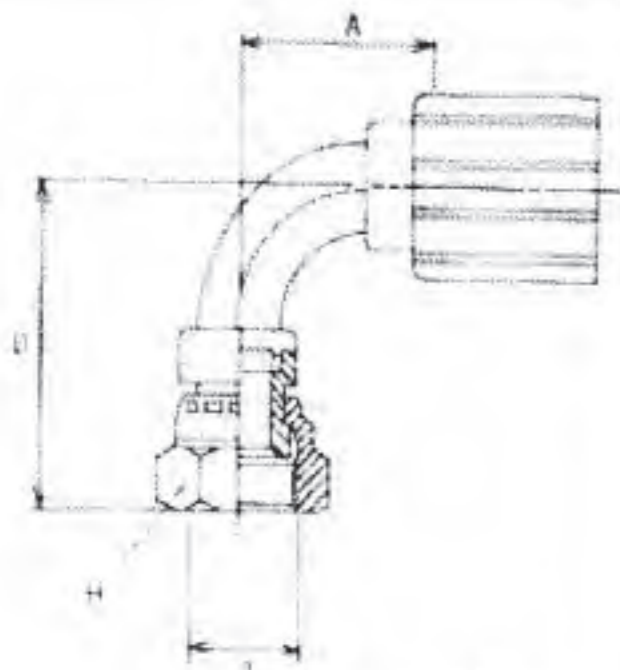
S026 SERIES – BSP FEMALE INVERTED CONE 30° SEAT ANGLE – MULTISPIRAL TAIL									
PART NUMBER	HOSE BORE	THREAD	DIMENSIONS mm						
	I	T	A	B	C	D	E	H1	H2
S026-12-12 (L)	3/4"	3/4 – 14	31					32	26
S026-16-16 (L)	1"	1" – 11	40					38	32
S026-20-20 • (L)	1-1/4"	1-1/4 – 11	45					50.8	44
S026-24-24 • (L)	1-1/2"	1-1/2 – 11	45					57	46
S026-12-12HD (L)	3/4"	3/4 – 14	34					35	26
S026-16-16HD (L)	1"	1" – 11	38					44	32



Contents Page

S051 SERIES – BSP 90° SWEPT ELBOW (SOLID PIECE) – STANDARD TAIL									
PART NUMBER	HOSE BORE	THREAD	DIMENSIONS mm						
	I	T	A	B	C	D	E	H	L
S051-04-04 (VS)	1/4"	1/4 – 19	27.5			38.5		19	
S051-06-06 (VS)	3/8"	3/8 – 19	32			44		22	
S051-08-06 (VS)	3/8"	1/2 – 14	32			44		26	
S051-08-08 (VS)	1/2"	1/2 – 14	39			53		26	
S051-10-10 (VS)	5/8"	5/8 – 14	44			61		29	
S051-12-12 (VS)	3/4"	3/4 – 14	50			64		32	
S051-16-16 (VS)	1"	1" – 11	63			80		38	
S051-20-20 (VS)	1-1/4"	1-1/4 – 11	69			92		50.8	
S051-24-24 • (VS)	1-1/2"	1-1/2 – 11	82			98		57	
S051-32-32 • (VS)	2"	2" – 11	108			102		70	

S051 SERIES – BSP 90° SWEPT ELBOW (SOLID PIECE) – MULTISPIRAL TAIL									
PART NUMBER	HOSE BORE	THREAD	DIMENSIONS mm						
	I	T	A	B	C	D	E	H	L
S051-12-12 (VL)	3/4"	3/4 – 14	50			64		32	
S051-16-16 (VL)	1"	1" – 11	63			80		38	
S051-20-20 (VL)	1-1/4"	1-1/4 – 11	69			92		50.8	
S051-24-24 • (VL)	1-1/2"	1-1/2 – 11	82			98		57	
S051-32-32 • (VL)	2"	2" – 11	108			102		70	



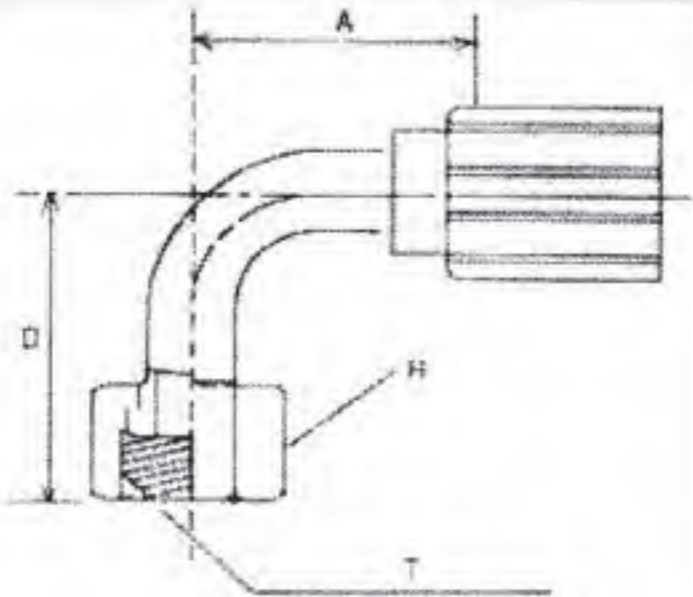
Contents Page

**S055 SERIES – JIC 90° SWEPT ELBOW 37° SEAT ANGLE (SOLID PIECE)
– STANDARD TAIL**

PART NUMBER	HOSE BORE	THREAD	DIMENSIONS mm						
	I	T	A	B	C	D	E	H	L
S055-07-04 (VS)	1/4"	7/16 – 20	27.5			41		16	
S055-08-04 (VS)	1/4"	1/2 – 20	27.5			42		19	
S055-09-04 (VS)	1/4"	9/16 – 18	27.5			42		19	
S055-09-06 (VS)	3/8"	9/16 – 18	31.5			44.5		19	
S055-12-06 (VS)	3/8"	3/4 – 16	31.5			47		22	
S055-12-08 (VS)	1/2"	3/4 – 16	39			54		22	
S055-14-08 (VS)	1/2"	7/8 – 14	39			54		26	
S055-17-08 (VS)	1/2"	1-1/16 – 12	39			52		32	
S055-14-10 (VS)	5/8"	7/8 – 14	44.5			58.5		26	
S055-17-10 (VS)	5/8"	1-1/16 – 12	44.5			64.5		32	
S055-17-12 (VS)	3/4"	1-1/16 – 12	51.5			65		32	
S055-19-12 (VS)	3/4"	1-3/16 – 12	51.5			67.5		35	
S055-21-12 (VS)	3/4"	1-5/16 – 12	51.5			74.5		38	
S055-21-16 (VS)	1"	1-5/16 – 12	63			83		38	
S055-26-20 (VS)	1-1/4"	1-5/8 – 12	65			89.5		50.8	
S055-30-24 (VS)	1-1/2"	1-7/8 – 12	81.5			102		57	
S055-40-32 (VS)	2"	2-1/2 – 12	102			123		70	

**S055 SERIES – JIC 90° SWEPT ELBOW 37° SEAT ANGLE (SOLID PIECE)
– MULTISPIRAL TAIL**

PART NUMBER	HOSE BORE	THREAD	DIMENSIONS mm						
	I	T	A	B	C	D	E	H	L
S055-17-12 (VL)	3/4"	1-1/16 – 12	51.5			65		32	
S055-19-12 (VL)	3/4"	1-3/16 – 12	51.5			67.5		35	
S055-21-12 (VL)	3/4"	1-5/16 – 12	51.5			74.5		38	
S055-21-16 (VL)	1"	1-5/16 – 12	63			83		38	
S055-26-20 (VL)	1-1/4"	1-5/8 – 12	65			89.5		50.8	
S055-30-24 (VL)	1-1/2"	1-7/8 – 12	81.5			102		57	
S055-40-32 (VL)	2"	2-1/2 – 12	102			123		70	



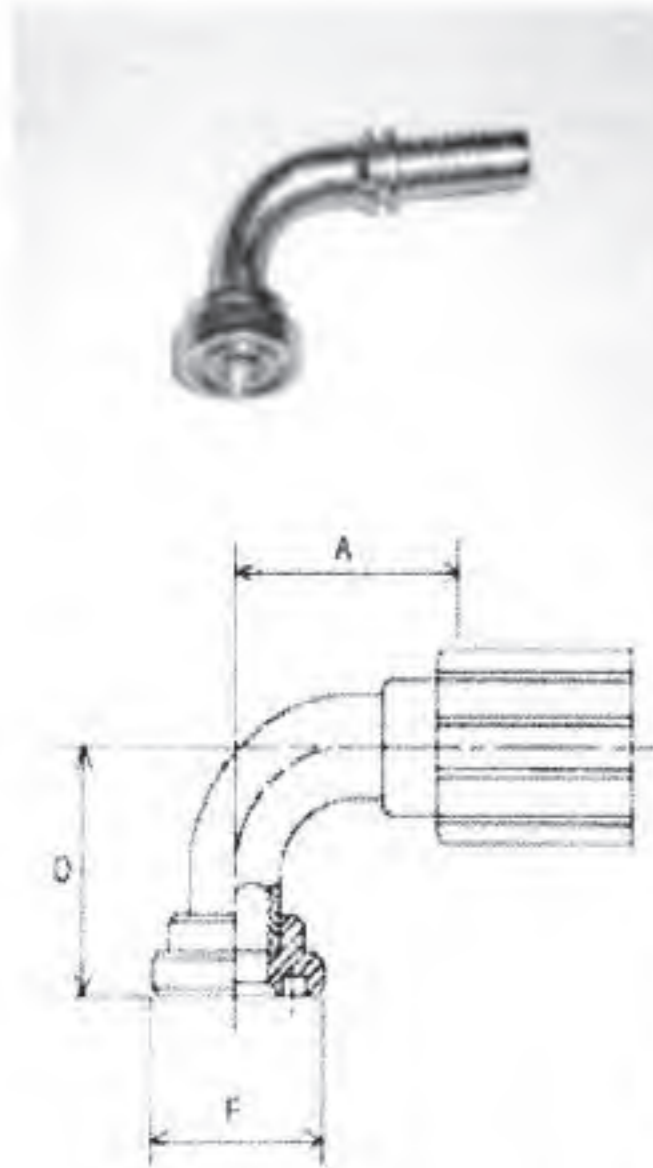
Contents Page

**S056 SERIES – ORS FEMALE SWIVEL 90° ELBOW (SOLID PIECE)
– STANDARD TAIL**

PART NUMBER	HOSE BORE	THREAD	DIMENSIONS mm						
	I	T	A	B	C	D	E	H	L
S056-09-04 (VS)	1/4"	9/16 – 18	33			33		19	
S056-11-06 (VS)	3/8"	11/16 – 16	34			41.5		22	
S056-13-08 (VS)	1/2"	13/16 – 16	37.5			50.5		26	
S056-16-10 (VS)	5/8"	1 – 14	47			50.5		32	
S056-19-12 (VS)	3/4"	13/16 – 12	51			66		35	
S056-23-16 (VS)	1"	1-7/16 – 12	60			76		44	
S056-27-20 (VS)	1-1/4"	1-11/16 – 12	74			78		48	
S056-32-24 (VS)	1-1/2"	2 – 12	83			87		57	

**S056 SERIES – ORS FEMALE SWIVEL 90° ELBOW (SOLID PIECE)
– MULTISPIRAL TAIL**

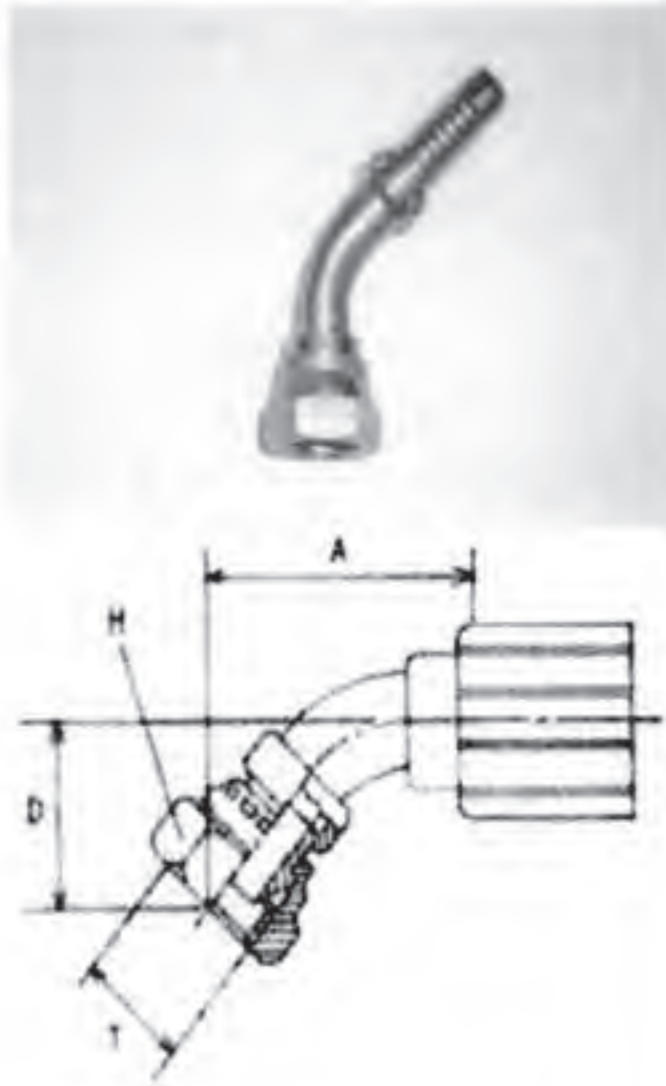
PART NUMBER	HOSE BORE	THREAD	DIMENSIONS mm						
	I	T	A	B	C	D	E	H	L
S056-19-12 (VL)	3/4"	13/16 – 12	51			66		35	
S056-23-16 (VL)	1"	1-7/16 – 12	60			76		44	
S056-27-20 (VL)	1-1/4"	1-11/16 – 12	74			78		48	
S056-32-24 (VL)	1-1/2"	2 – 12	83			87		57	



Contents Page

S059 SERIES – SAE 90° SWEEP ELBOW FLANGE (SOLID PIECE) – STANDARD TAIL									
PART NUMBER	HOSE BORE	FLANGE	DIMENSIONS mm						
	I	F	A	B	C	D	E	H	SAE J518C CODE
S059-08-08 (VS)	1/2"	30	39			36			61
S059-10-08 (VS)	1/2"	34	39			36			61
S059-12-08 (VS)	1/2"	38	39			36			61
S059-10-10 (VS)	5/8"	34	43			40			61
S059-12-10 (VS)	5/8"	38	43			40			61

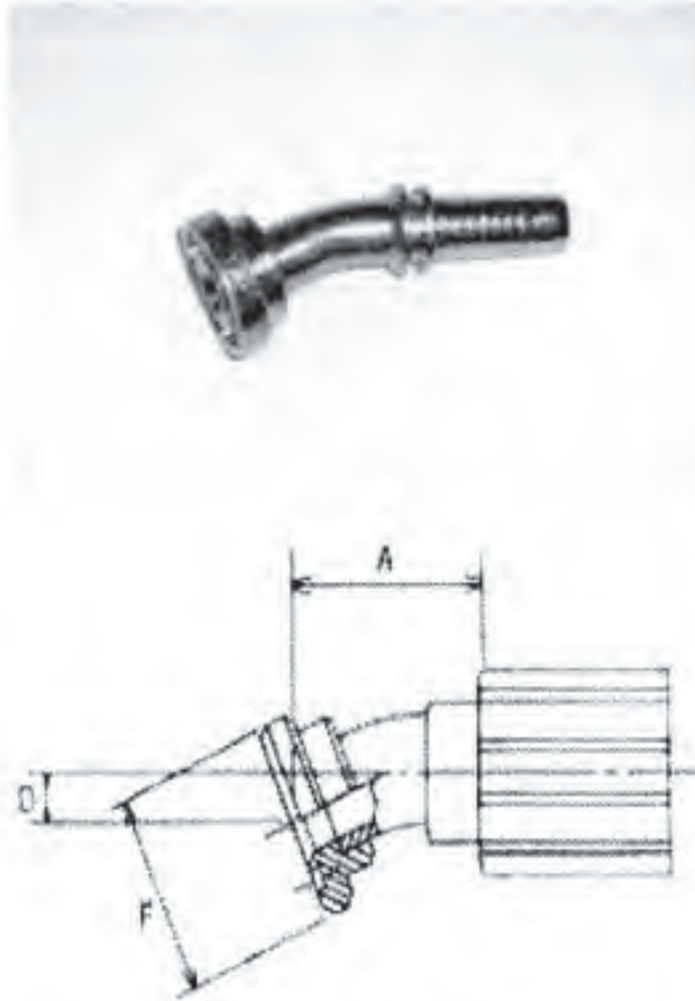
S059 SERIES – SAE 90° SWEEP ELBOW FLANGE (SOLID PIECE) – MULTISPIRAL TAIL									
PART NUMBER	HOSE BORE	FLANGE	DIMENSIONS mm						
	I	F	A	B	C	D	E	H	SAE J518C CODE
S059-12-12 (VL)	3/4"	38	51			43			61
S059-14-12 (VL)	3/4"	41.4	51			43			62
S059-16-12 (VL)	3/4"	44	46			52			61
S059-18-12 (VL)	3/4"	48	43			54			62
S059-16-16 (VL)	1"	44	61			57			61
S059-18-16 (VL)	1"	48	61			64			62
S059-20-16 (VL)	1"	50.8	65			57			61
S059-20-20 (VL)	1-1/4"	50.8	65			60			61
S059-22-20 (VL)	1-1/4"	54.1	65			60			62
S059-24-20 (VL)	1-1/4"	60	65			68			61
S059-24-24 (VL)	1-1/2"	60	82			81			61
S059-32-32 (VL)	2"	71.3	110			91			61
S059-12-12 (VL) L	3/4"	38	52			86			61
S059-16-12 (VL) L	3/4"	44	52			86			61
S059-16-16 (VL) L	1"	44	64			98			61
S059-20-16 (VL) L	1"	50.8	64			100			61



Contents Page

S060 SERIES – BSP 45° SWEPT ELBOW (SOLID PIECE) – STANDARD TAIL									
PART NUMBER	HOSE BORE	THREAD	DIMENSIONS mm						
	I	T	A	B	C	D	E	H	L
S060-04-04 (VS)	1/4"	1/4 – 19	45			18		19	
S060-06-06 (VS)	3/8"	3/8 – 19	46			23		22	
S060-08-08 (VS)	1/2"	1/2 – 14	60			29		26	
S060-10-10 (VS)	5/8"	5/8 – 14	63			32		29	
S060-12-12 (VS)	3/4"	3/4 – 14	67			41		32	
S060-16-16 (VS)	1"	1" – 11	79			48		38	
S060-20-20 (VS)	1-1/4"	1-1/4 – 11	92			51		50.8	
S060-24-24 • (VS)	1-1/2"	1-1/2 – 11	98			55		57	
S060-32-32 • (VS)	2"	2" – 11	63			103		70	

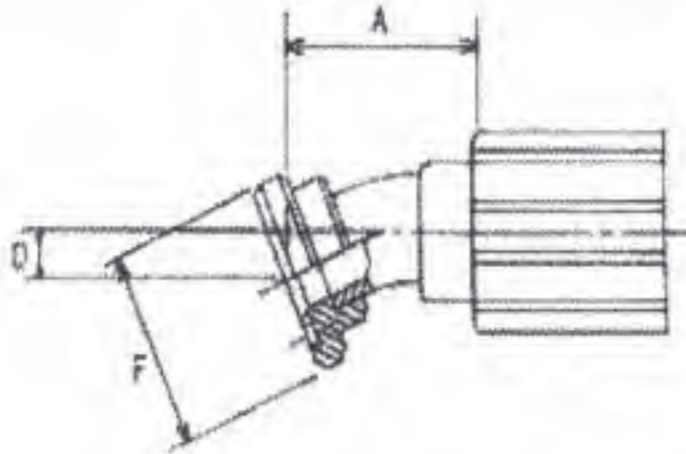
S060 SERIES – BSP 45° SWEPT ELBOW (SOLID PIECE) – MULTISPIRAL TAIL									
PART NUMBER	HOSE BORE	THREAD	DIMENSIONS mm						
	I	T	A	B	C	D	E	H	L
S060-12-12 (VL)	3/4"	3/4 – 14	67			41		32	
S060-16-16 (VL)	1"	1" – 11	79			48		38	
S060-20-20 (VL)	1-1/4"	1-1/4 – 11	92			51		50.8	
S060-24-24 • (VL)	1-1/2"	1-1/2 – 11	98			55		57	
S060-32-32 • (VL)	2"	2" – 11	63			103		70	



Contents Page

S062 SERIES – SAE 22-1/2° SWEEP ELBOW FLANGE (SOLID PIECE) – STANDARD TAIL										
PART NUMBER	HOSE BORE	FLANGE	DIMENSIONS mm							
	I	F	A	B	C	D	E	H	SAE 518C CODE	
S062-08-08 (VS)	1/2"	30	41			9			61	
S062-12-08 (VS)	1/2"	38	43			9			61	

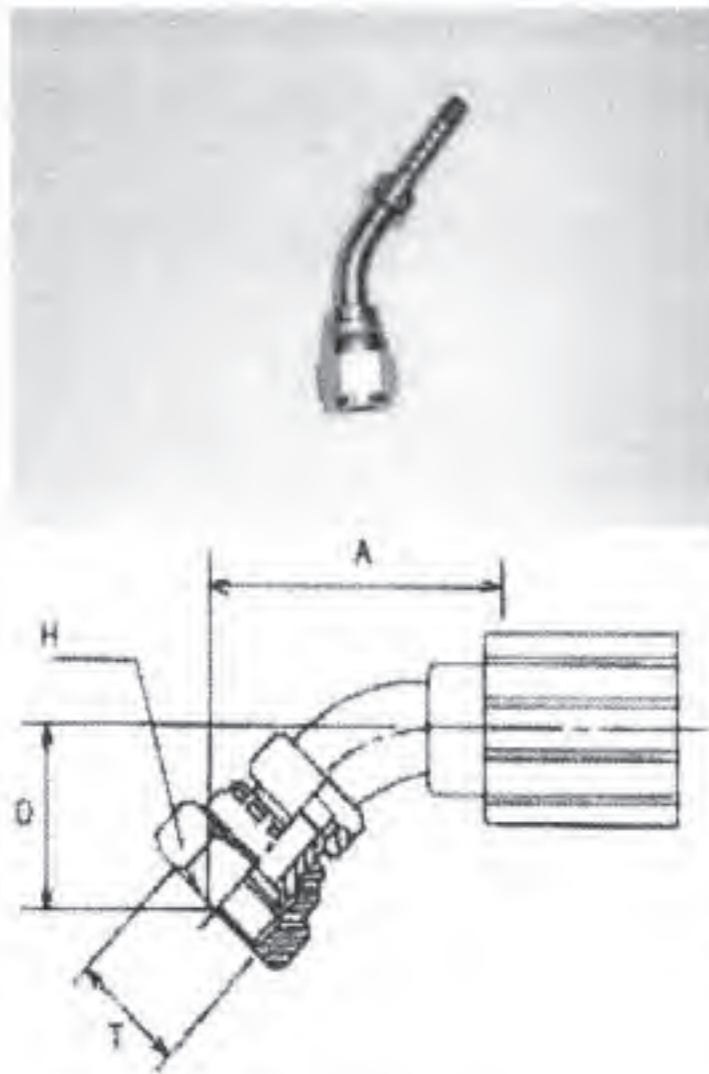
S062 SERIES – SAE 22-1/2° SWEEP ELBOW FLANGE (SOLID PIECE) – MULTISPIRAL TAIL										
PART NUMBER	HOSE BORE	FLANGE	DIMENSIONS mm							
	I	F	A	B	C	D	E	H	SAE 518C CODE	
S062-12-12 (VL)	3/4"	38	50			12			61	
S062-16-12 (VL)	3/4"	44	48			12			61	
S062-16-16 (VL)	1"	44	55			18			61	
S062-18-16 (VL)	1"	48	66			20			62	
S062-20-16 (VL)	1"	50.8	64			19			61	
S062-20-20 (VL)	1-1/4"	50.8	65			21			61	
S062-24-20 (VL)	1-1/4"	60	65			24			61	
S062-24-24 (VL)	1-1/2"	60	78			21			61	
S062-26-24 (VL)	1-1/2"	64	80			21			62	
S062-32-32 (VL)	2"	71.3	81			23			61	



Contents Page

S063 SERIES – SAE 30° SWEPT ELBOW FLANGE (SOLID PIECE) – STANDARD TAIL									
PART NUMBER	HOSE BORE	FLANGE	DIMENSIONS mm						
	I	F	A	B	C	D	E	H	SAE 518C CODE
S603-08-08 (VS)	1/2"	30	41			12			61
S063-12-08 (VS)	1/2"	38	43			12			61

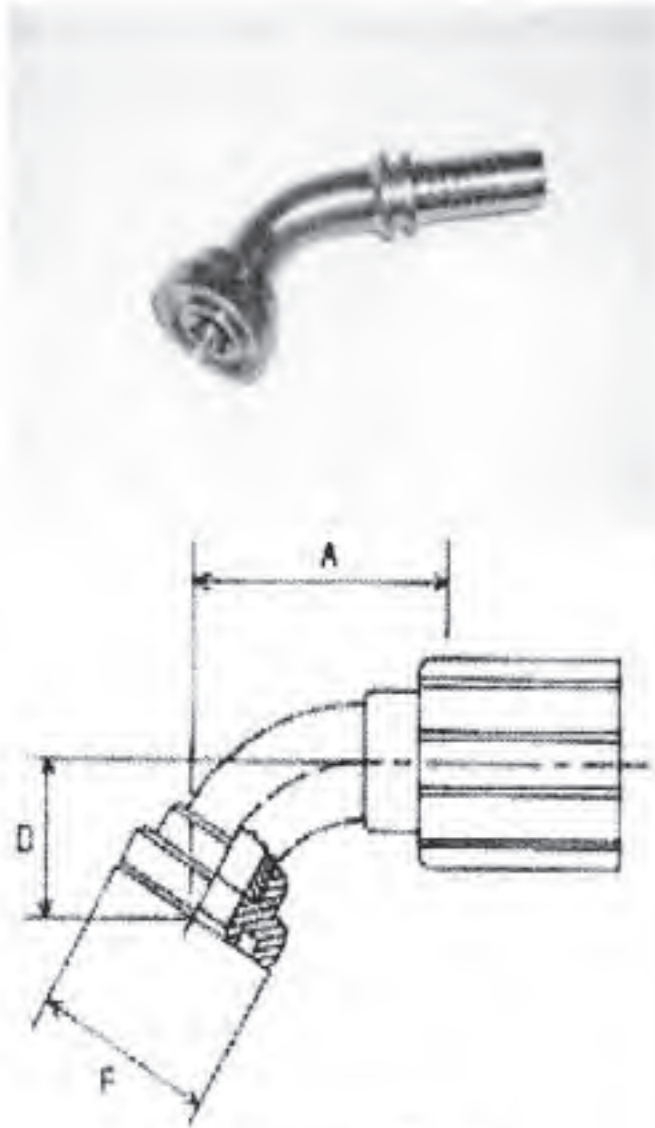
S063 SERIES – SAE 30° SWEPT ELBOW FLANGE (SOLID PIECE) – MULTISPIRAL TAIL									
PART NUMBER	HOSE BORE	FLANGE	DIMENSIONS mm						
	I	F	A	B	C	D	E	H	SAE 518C CODE
S063-12-12 (VL)	3/4"	38	52			15			61
S063-16-12 (VL)	3/4"	44	52			15			61
S063-16-16 (VL)	1"	44	60			21			61
S063-18-16 (VL)	1"	48	68			23			62
S063-20-16 (VL)	1"	50.8	63			22			61
S063-20-20 (VL)	1-1/4"	50.8	71			24			61
S063-24-20 (VL)	1-1/4"	60	71			28			61
S063-24-24 (VL)	1-1/2"	60	74			24			61
S063-26-24 (VL)	1-1/2"	64	76			24			62
S063-32-32 (VL)	2"	71.3	80			27			61



Contents Page

S064 SERIES – JIC 45° SWEEP ELBOW 37° SEAT ANGLE – STANDARD TAIL									
PART NUMBER	HOSE BORE	THREAD	DIMENSIONS mm						
	I	T	A	B	C	D	E	H	L
S064-07-04 (VS)	1/4"	7/16 – 20	43			16		16	
S064-08-04 (VS)	1/4"	1/2 – 20	43			17.5		19	
S064-09-04 (VS)	1/4"	9/16 – 18	43			19		19	
S064-09-06 (VS)	3/8"	9/16 – 18	48			23.5		19	
S064-12-06 (VS)	3/8"	3/4 – 16	48			25		22	
S064-12-08 (VS)	1/2"	3/4 – 16	49.5			26		22	
S064-14-08 (VS)	1/2"	7/8 – 14	51			27.5		26	
S064-17-08 (VS)	1/2"	1-1/16 – 12	53			29		32	
S064-17-10 (VS)	5/8"	1-1/16 – 12	58			35		32	
S064-17-12 (VS)	3/4"	1-1/16 – 12	66.5			45		32	
S064-21-16 (VS)	1"	1-5/16 – 12	85.5			55		38	
S064-26-20 (VS)	1-1/4"	1-5/8 – 12	94.5			51		50.8	
S064-30-24 • (VS)	1-1/2"	1-7/8 – 12	98			51		57	
S064-09-06 (VS) L	3/8"	9/16 – 18	71			42		19	
S064-17-08 (VS) L	1/2"	1-1/16 – 12	81.5			54		32	
S064-17-10 (VS) L	5/8"	1-1/16 – 12	81.5			54		32	

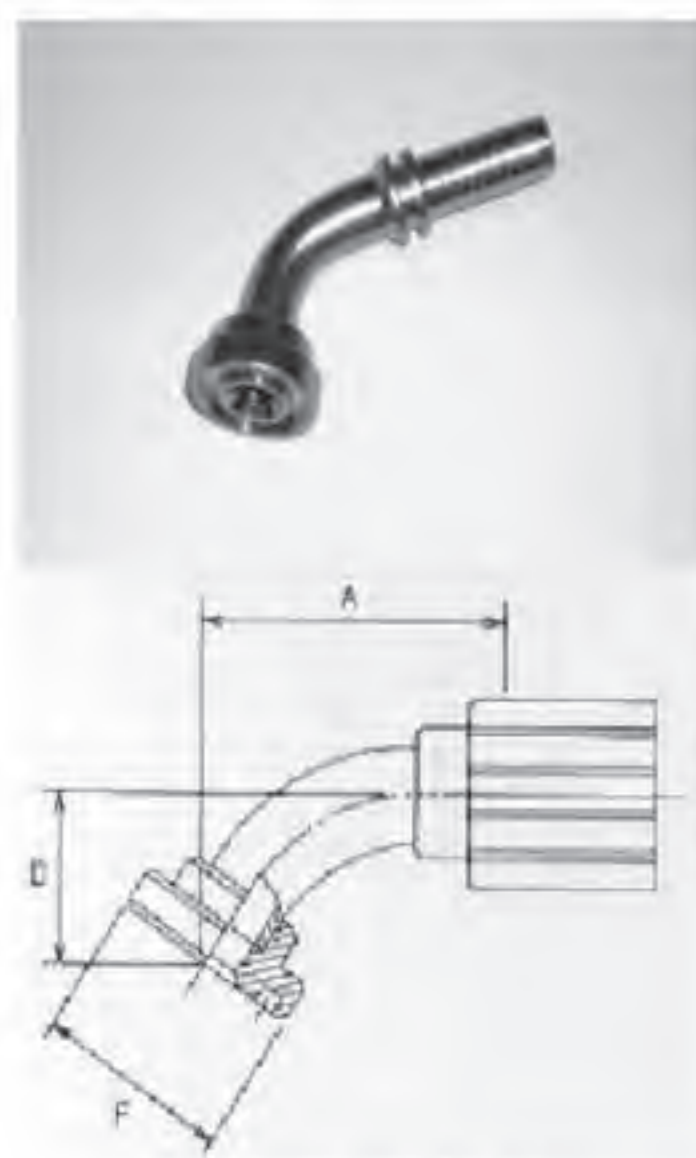
S064 SERIES – JIC 45° SWEEP ELBOW 37° SEAT ANGLE – MULTISPIRAL TAIL									
PART NUMBER	HOSE BORE	THREAD	DIMENSIONS mm						
	I	T	A	B	C	D	E	H	L
S064-17-12 (VL)	3/4"	1-1/16 – 12	66.5			45		32	
S064-21-16 (VL)	1"	1-5/16 – 12	85.5			55		38	
S064-26-20 (VL)	1-1/4"	1-5/8 – 12	94.5			51		50.8	
S064-30-24 • (VL)	1-1/2"	1-7/8 – 12	98			51		57	



Contents Page

S066 SERIES – SAE 60° SWEEP ELBOW FLANGE (SOLID PIECE) – STANDARD TAIL									
PART NUMBER	HOSE BORE	FLANGE	DIMENSIONS mm						
	I	F	A	B	C	D	E	H	SAE 518C CODE
S066-08-08 (VS)	1/2"	30	43			26			61
S066-12-08 (VS)	1/2"	38	44			27			61

S066 SERIES – SAE 60° SWEEP ELBOW FLANGE (SOLID PIECE) – MULTIPIRAL TAIL									
PART NUMBER	HOSE BORE	FLANGE	DIMENSIONS mm						
	I	F	A	B	C	D	E	H	SAE 518C CODE
S066-12-12 (VL)	3/4"	38	57			35			61
S066-16-12 (VL)	3/4"	44	54			33			61
S066-16-16 (VL)	1"	44	67			36			61
S066-18-16 (VL)	1"	48	70			40.5			62
S066-20-16 (VL)	1"	50.8	67			37			61
S066-20-20 (VL)	1-1/4"	50.8	74			37			61
S066-24-20 (VL)	1-1/4"	60	76			37			61
S066-24-24 (VL)	1-1/2"	60	88			45			61
S066-32-32 (VL)	2"	71.3	105			57			61



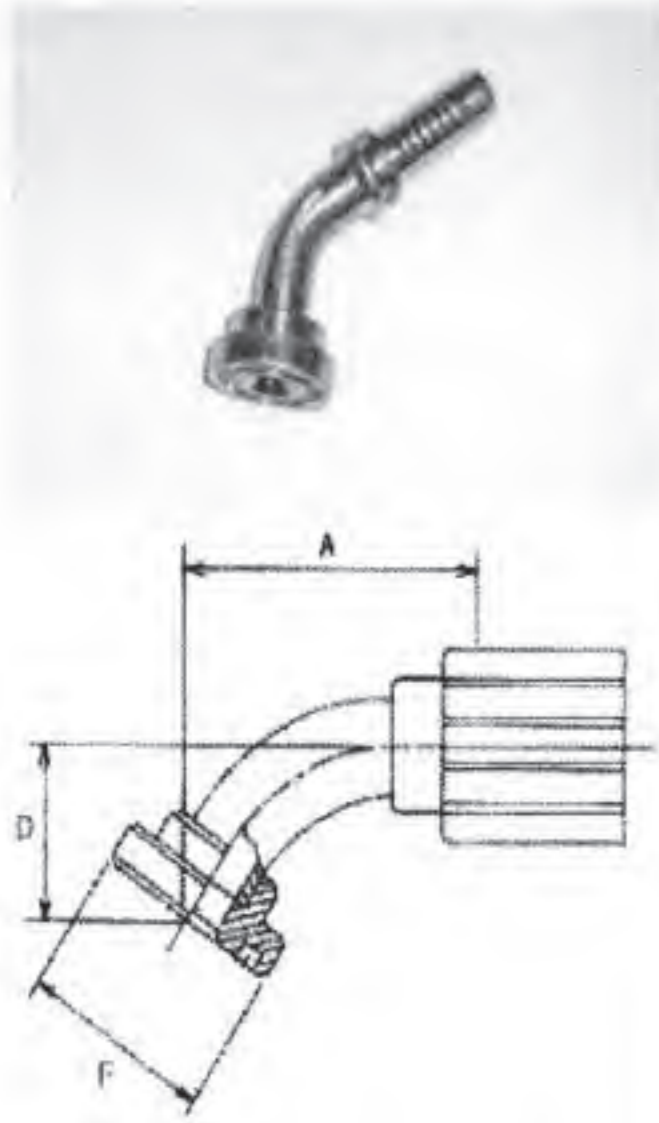
Contents Page

**S067 SERIES – SAE 67-1/2° SWEEP ELBOW FLANGE (SOLID PIECE)
– STANDARD TAIL**

PART NUMBER	HOSE BORE	FLANGE	DIMENSIONS mm							SAE 518C CODE
	I	F	A	B	C	D	E	H		
S067-08-08 (VS)	1/2"	30	43			21			61	
S067-12-08 (VS)	1/2"	38	45			22			61	

**S067 SERIES – SAE 67-1/2° SWEEP ELBOW FLANGE (SOLID PIECE)
– MULTISPIRAL TAIL**

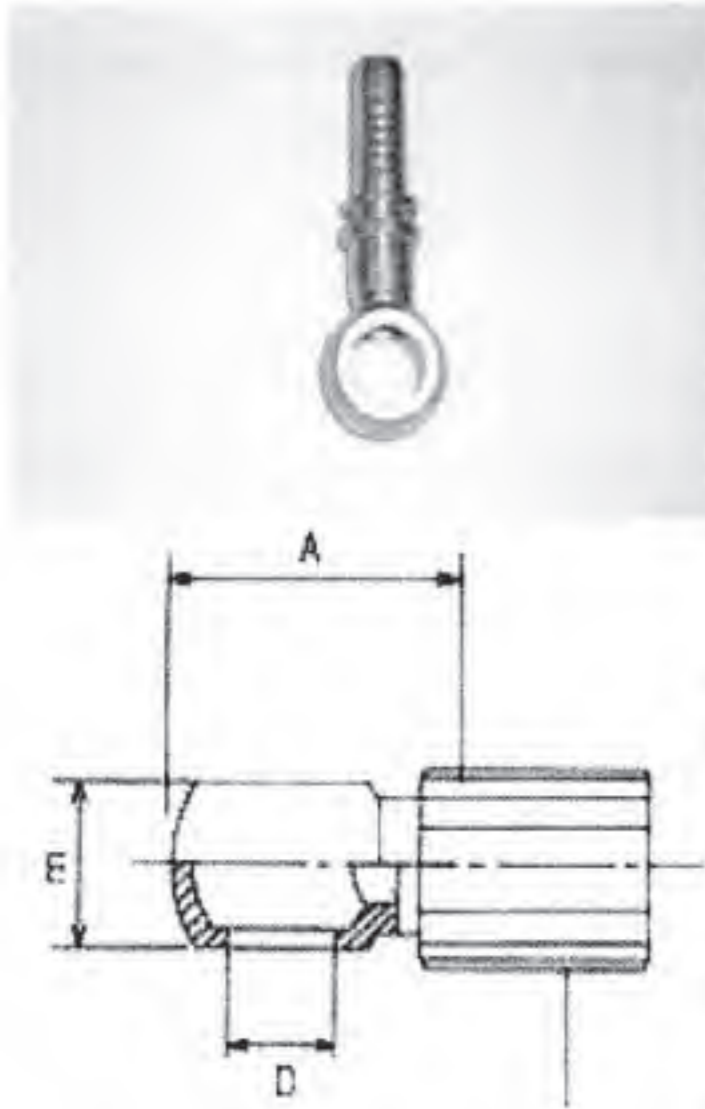
PART NUMBER	HOSE BORE	FLANGE	DIMENSIONS mm							SAE 518C CODE
	I	F	A	B	C	D	E	H		
S067-12-12 (VL)	3/4"	38	53			29			61	
S067-16-12 (VL)	3/4"	44	53			29			61	
S067-16-16 (VL)	1"	44	64			49			61	
S067-18-16 (VL)	1"	48	67			53.5			62	
S067-20-16 (VL)	1"	50.8	64			66			61	
S067-20-20 (VL)	1-1/4"	50.8	68			44			61	
S067-24-20 (VL)	1-1/4"	60	68			44			61	
S067-24-24 (VL)	1-1/2"	60	70			46			61	
S067-32-32 (VL)	2"	71.3	107			65			61	



Contents Page

S068 SERIES – SAE 45° SWEPT ELBOW FLANGE (SOLID PIECE) – STANDARD TAIL									
PART NUMBER	HOSE BORE	FLANGE	DIMENSIONS mm						
	I	F	A	B	C	D	E	H	SAE 518C CODE
S068-08-08 (VS)	1/2"	30	42			13			61
S068-12-08 (VS)	1/2"	38	43			15			61
S068-10-10 (VS)	5/8"	34	54			18			61

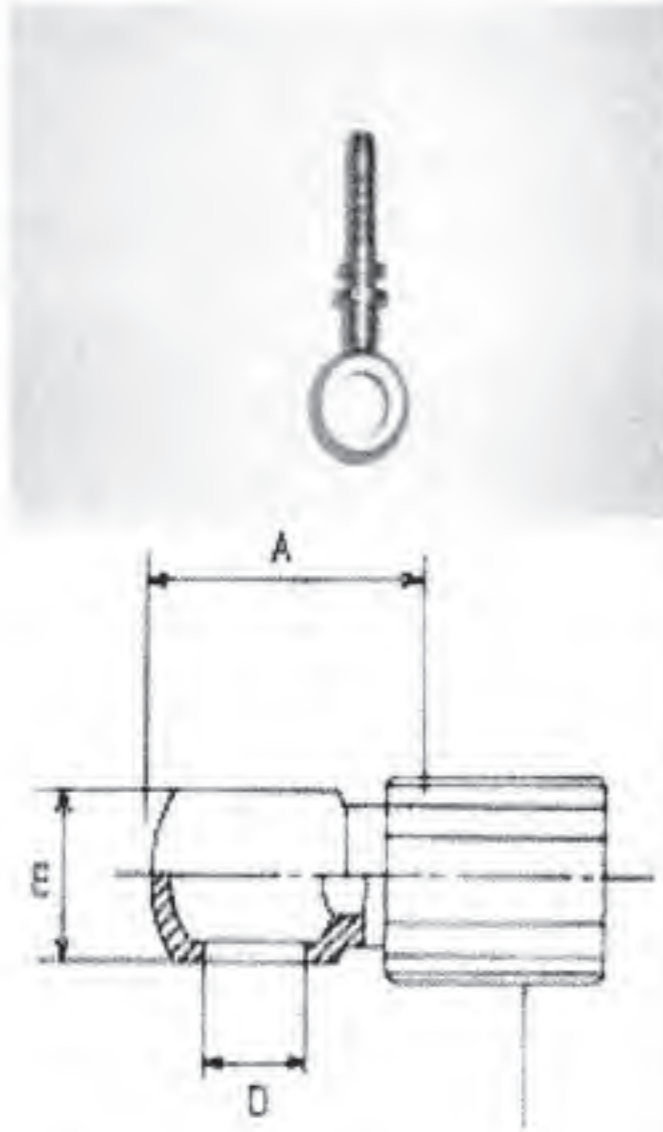
S068 SERIES – SAE 45° SWEPT ELBOW FLANGE (SOLID PIECE) – MULTISPIRAL TAIL									
PART NUMBER	HOSE BORE	FLANGE	DIMENSIONS mm						
	I	F	A	B	C	D	E	H	SAE 518C CODE
S068-12-12 (VL)	3/4"	38	55			19			61
S068-14-12 (VL)	3/4"	41.4	55			19			62
S068-16-12 (VL)	3/4"	44	55			19			61
S068-18-12 (VL)	3/4"	48	58			25			62
S068-16-16 (VL)	1"	44	63			26			61
S068-18-16 (VL)	1"	48	73			32			62
S068-20-16 (VL)	1"	50.8	68			23			61
S068-20-20 (VL)	1-1/4"	50.8	75			31			61
S068-22-20 (VL)	1-1/4"	54.1	75			31			62
S068-24-20 (VL)	1-1/4"	60	88			25			61
S068-24-24 (VL)	1-1/2"	60	87			34			61
S068-26-24 (VL)	1-1/2"	63.4	87			34			62
S068-32-32 (VL)	2"	71.3	102			44			61
S068-12-12 (VL) L	3/4"	38	110			71			61
S068-16-16 (VL) L	1"	44	121			87			61



Contents Page

S094 SERIES – BANJO FOR BSP BOLTS – STANDARD TAIL									
PART NUMBER	HOSE BORE	BOLT THREAD	DIMENSIONS mm						
	I	T	A	B	C	D	E	H	L
S094-13-04 (S)	1/4"	1/4 – 19	33			13.3	13		
S094-17-06 (S)	3/8"	3/8 – 19	37			16.8	16		
S094-21-08 (S)	1/2"	1/2 – 14	44			21	25		
S094-23-10 (S)	5/8"	5/8 – 14	50			23	25		
S094-27-12 (S)	3/4"	3/4 – 14	59			26.5	30		
S094-33-16 (S)	1"	1" – 11	71			33.5	36		

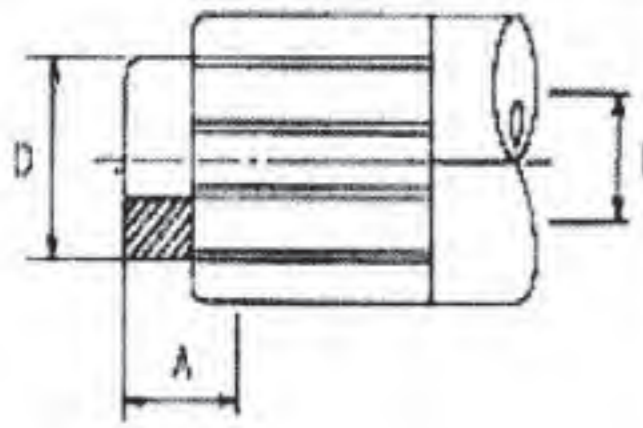
S094 SERIES – BANJO FOR BSP BOLT – MULTISPIRAL TAIL									
PART NUMBER	HOSE BORE	BOLT THREAD	DIMENSIONS mm						
	I	T	A	B	C	D	E	H	L
S094-27-12 (L)	3/4"	3/4 – 14	59			26.5	30		
S094-33-16 (L)	1"	1" – 11	71			33.5	36		



Contents Page

S095 SERIES – BANJO FOR METRIC BOLTS – STANDARD TAIL									
PART NUMBER	HOSE BORE	BOLT THREAD	DIMENSIONS mm						
	I	T	A	B	C	D	E	H	L
S095-10-04 (S)	1/4"	10 x 1.5	31			10.3	10		
S095-12-04 (S)	1/4"	12 x 1.5	33			12.3	12		
S095-14-04 (S)	1/4"	14 x 1.5	35			14.3	14		
S095-14-06 (S)	3/8"	14 x 1.5	35			14.3	14		
S095-16-06 (S)	3/8"	16 x 1.5	36			16.3	16		
S095-18-08 (S)	1/2"	18 x 1.5	38			18.3	20		
S095-22-10 (S)	5/8"	22 x 1.5	50			22.3	25		
S095-26-12 (S)	3/4"	26 x 1.5	59			26.3	30		
S095-30-16 (S)	1"	30 x 1.5	71			30.3	36		

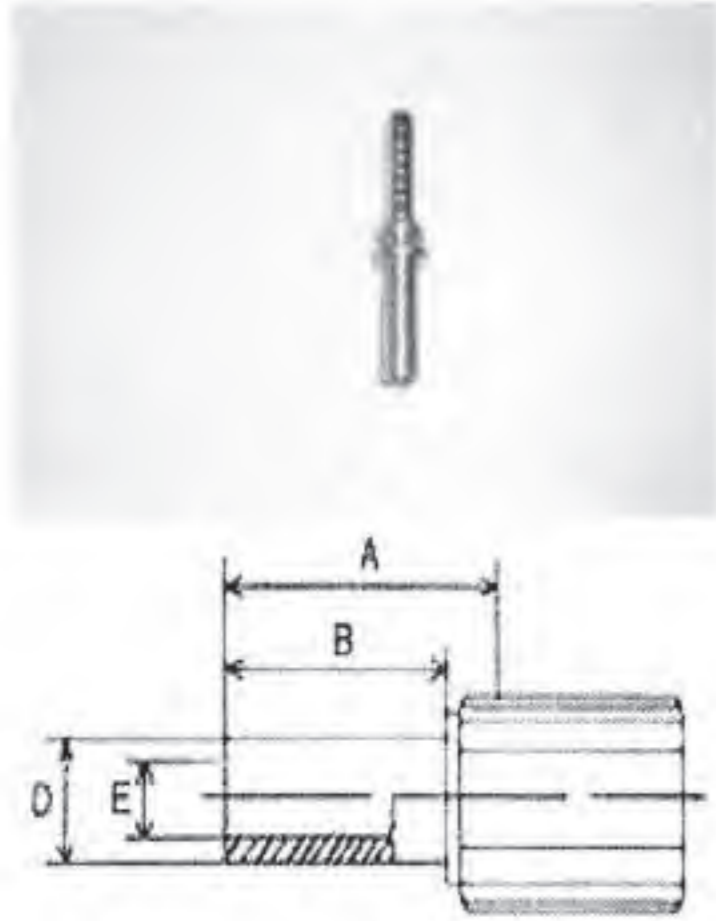
S095 SERIES – BANJO FOR METRIC BOLTS – MULISPIRAL TAIL									
PART NUMBER	HOSE BORE	BOLT THREAD	DIMENSIONS mm						
	I	T	A	B	C	D	E	H	L
S095-26-12 (L)	3/4"	26 x 1.5	59			26.3	30		
S095-30-16 (L)	1"	30 x 1.5	71			30.3	36		



Contents Page

S096 SERIES – LIFESAVER – STANDARD TAIL									
PART NUMBER	HOSE BORE	THREAD	DIMENSIONS mm						
	I	T	A	B	C	D	E	H	L
S096-00-04 (S)	1/4"		13			12.7			
S096-00-06 (S)	3/8"		14.5			16			
S096-00-08 (S)	1/2"		15			19			
S096-00-10 (S)	5/8"		16.5			23			
S096-00-12 (S)	3/4"		18			26			
S096-00-16 (S)	1"		20			32			
S096-00-20 (S)	1-1/4"		24			44			
S096-00-24 (S)	1-1/2"		24			46			
S096-00-32 (S)	2"		25			61			

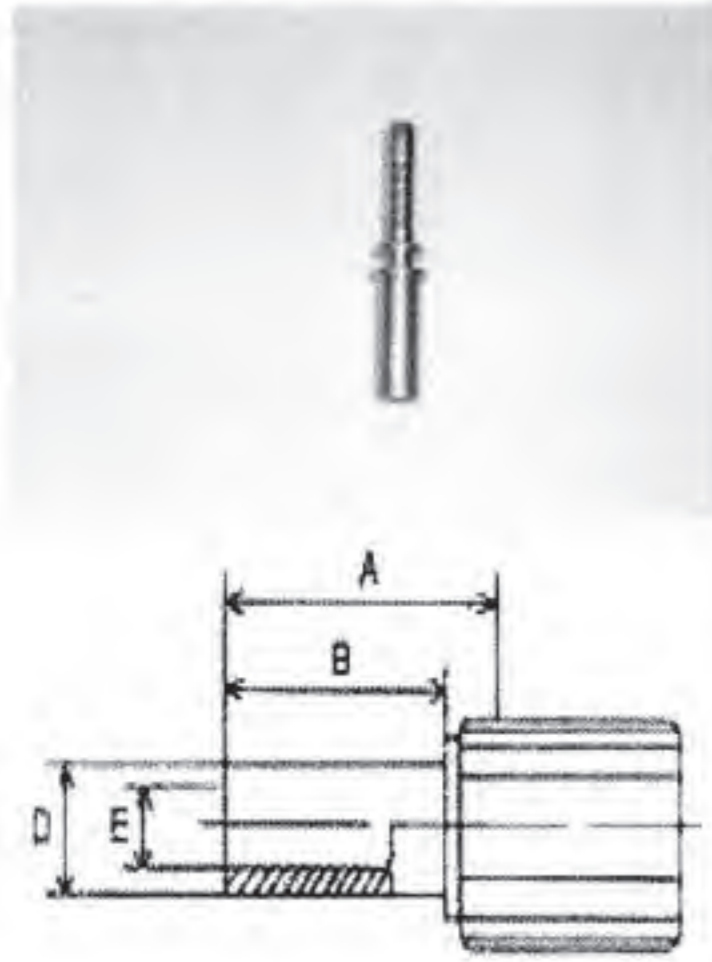
S096 SERIES – LIFESAVER – MULTISPIRAL TAIL									
PART NUMBER	HOSE BORE	THREAD	DIMENSIONS mm						
	I	T	A	B	C	D	E	H	L
S096-00-12 (L)	3/4"		18			26			
S096-00-16 (L)	1"		20			32			
S096-00-20 (L)	1-1/4"		24			44			
S096-00-24 (L)	1-1/2"		24			46			
S096-00-32 (L)	2"		25			61			



Contents Page

S097 SERIES – STANDPIPE – LIGHT DUTY – STANDARD TAIL									
PART NUMBER	HOSE BORE	THREAD	DIMENSIONS mm						
	I	T	A	B	C	D	E	H	L
S097-08-04 (S)	1/4"		29	25		8	5.5		
S097-10-06 (S)	3/8"		35	30		10	7		
S097-12-06 (S)	3/8"		35	30		12	9		
S097-14-08 (S)	1/2"		35	30		14	9.5		
S097-15-08 (S)	1/2"		35	30		15	12		
S097-18-10 (S)	5/8"		41	36		18	14.5		

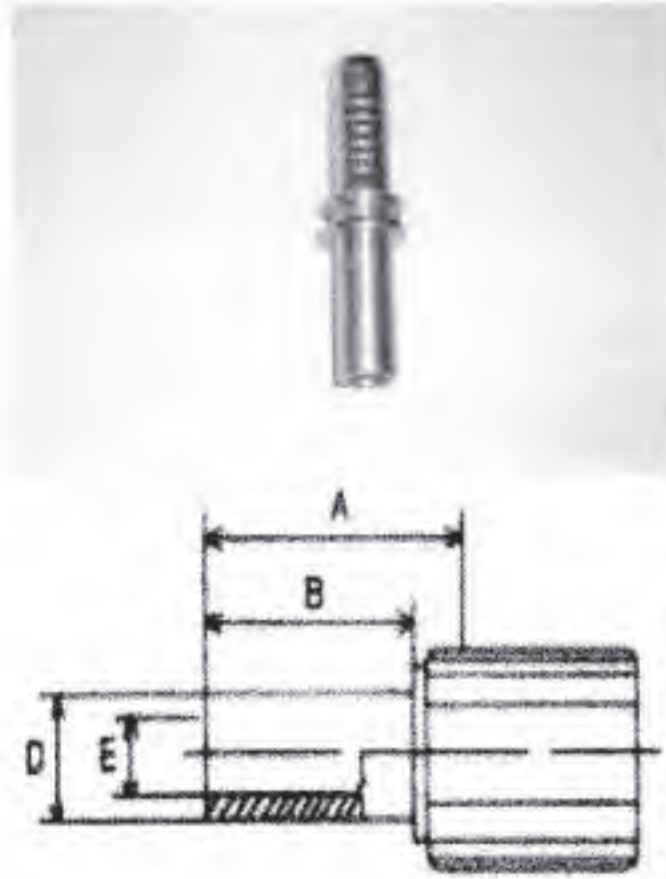
S097 SERIES – STANDPIPE – LIGHT DUTY – MULTISPIRAL TAIL									
PART NUMBER	HOSE BORE	THREAD	DIMENSIONS mm						
	I	T	A	B	C	D	E	H	L
S097-20-12 (L)	3/4"		42	36		20	15		
S097-22-12 (L)	3/4"		40	34		22	18		
S097-25-16 (L)	1"		45	38		25	20		
S097-28-16 (L)	1"		47	40		28	23		



Contents Page

S098 SERIES – STANDPIPE – HEAVY DUTY – STANDARD TAIL									
PART NUMBER	HOSE BORE	THREAD	DIMENSIONS mm						
	I	T	A	B	C	D	E		H
S098-10-04 (S)	1/4"		29	25		10	5.5		
S098-12-04 (S)	1/4"		34	30		12	9		
S098-14-06 (S)	3/8"		35	30		14	9		
S098-16-08 (S)	1/2"		39	34		16	12		
S098-18-08 (S)	1/2"		41	36		18	14.5		
S098-20-10 (S)	5/8"		41	36		20	14.5		
S098-22-10 (S)	5/8"		39	34		22	18		
S098-25-12 (S)	3/4"		44	38		25	18		
S098-30-16 (S)	1"		47	40		30	23		

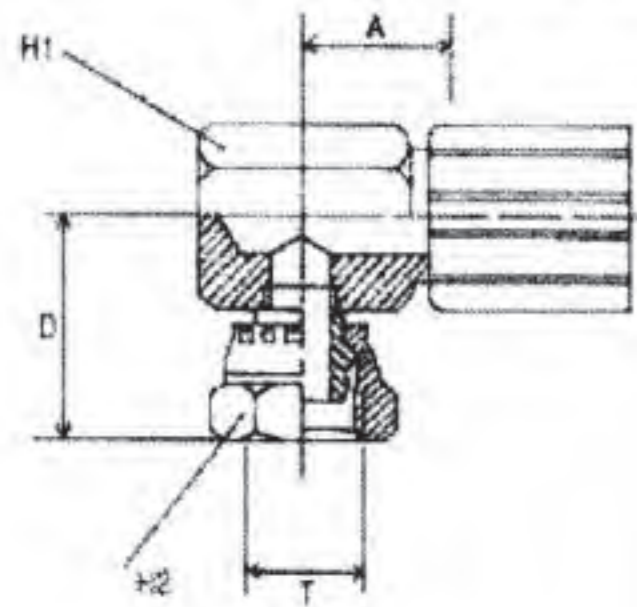
S098 SERIES – STANDPIPE – HEAVY DUTY – MULTISPIRAL TAIL									
PART NUMBER	HOSE BORE	THREAD	DIMENSIONS mm						
	I	T	A	B	C	D	E		H
S098-25-12 (L)	3/4"		44	38		25	18		
S098-30-16 (L)	1"		47	40		30	23		



Contents Page

S099 SERIES – STANDPIPE – FRENCH TYPE – STANDARD TYPE									
PART NUMBER	HOSE BORE	THREAD	DIMENSIONS mm						
	I	T	A	B	C	D	E	H	L
S099-13-06 (S)	3/8"		35	30		13.25	9		
S099-17-08 (S)	1/2"		39	34		16.75	12		
S099-21-08 (S)	1/2"		41	36		21.25	14.5		
S099-21-10 (S)	5/8"		41	36		21.25	14.5		
S099-27-12 (S)	3/4"		44	38		26.75	20		
S099-33-16 (S)	1"		47	40		33.5	25		

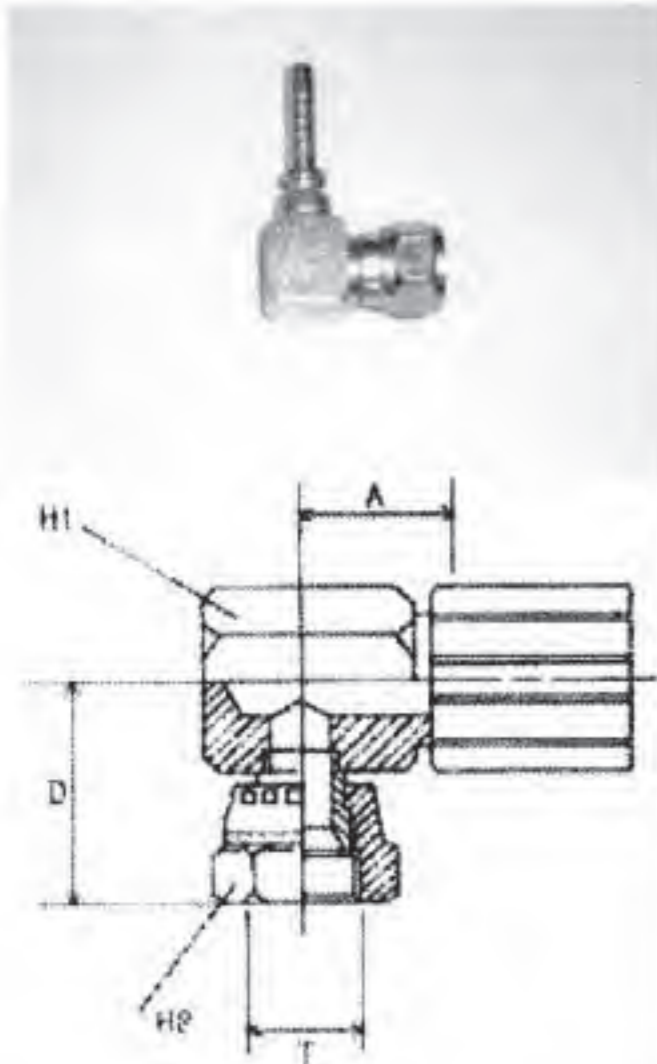
S099 SERIES – STANDPIPE – FRENCH TYPE – MULTISPIRAL TAIL									
PART NUMBER	HOSE BORE	THREAD	DIMENSIONS mm						
	I	T	A	B	C	D	E	H	L
S099-27-12 (L)	3/4"		44	38		26.75	20		
S099-33-16 (L)	1"		47	40		33.5	25		



Contents Page

S551 SERIES – BSP COMPACT ELBOW – STANDARD TAIL										
PART NUMBER	HOSE BORE	THREAD	DIMENSIONS mm							
	I	T	A	B	C	D	E	H1	H2	L
S551-04-04 (S)	1/4"	1/4 – 19	24			24		16	19	
S551-06-06 (S)	3/8"	3/8 – 19	27			32		19	22	
S551-08-08 (S)	1/2"	1/2 – 14	31			35		29	26	
S551-10-10 (S)	5/8"	5/8 – 14	34			40		32	29	
S551-12-12 (S)	3/4"	3/4 – 14	37			46		38	32	
S551-16-16 (S)	1"	1" – 11	42			54		44	38	
S551-20-20 (S)	1-1/4"	1-1/4 – 11	49			61		57	50.8	
S551-24-24 • (S)	1-1/2"	1-1/2 – 11	52			68		57	57	

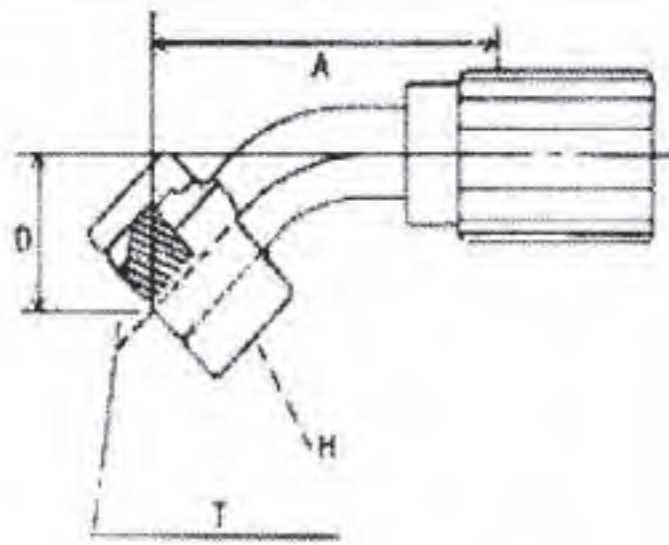
S551 SERIES – BSP COMPACT ELBOW – MULTISPIRAL TAIL										
PART NUMBER	HOSE BORE	THREAD	DIMENSIONS mm							
	I	T	A	B	C	D	E	H1	H2	L
S551-12-12 (L)	3/4"	3/4 – 14	37			46		38	32	
S551-16-16 (L)	1"	1" – 11	42			54		44	38	
S551-20-20 (L)	1-1/4"	1-1/4 – 11	49			61		57	50.8	
S551-24-24 • (L)	1-1/2"	1-1/2 – 11	52			68		57	57	



Contents Page

S555 SERIES – JIC COMPACT ELBOW – STANDARD TAIL									
PART NUMBER	HOSE BORE	THREAD	DIMENSIONS mm						
	I	T	A	B	C	D	E	H1	H2
S555-07-04 (S)	1/4"	7/16 – 20	24			27		19	16
S555-08-04 (S)	1/4"	1/2 – 20	24			27		22	19
S555-09-04 (S)	1/4"	9/16 – 18	24			30		22	19
S555-09-06 (S)	3/8"	9/16 – 18	26			30		22	19
S555-12-08 (S)	1/2"	3/4 – 16	29			44		29	22
S555-14-10 (S)	5/8"	7/8 – 14	32			44		32	26
S555-17-12 (S)	3/4"	1-1/16 – 12	35			47		38	32
S555-21-16 (S)	1"	1-5/16 – 12	37			54		44	38
S555-26-20 (S)	1-1/4"	1-5/8 – 12	44			61		48	50.8
S555-30-24 • (S)	1-1/2"	1-7/8 – 12	44			61		57	57

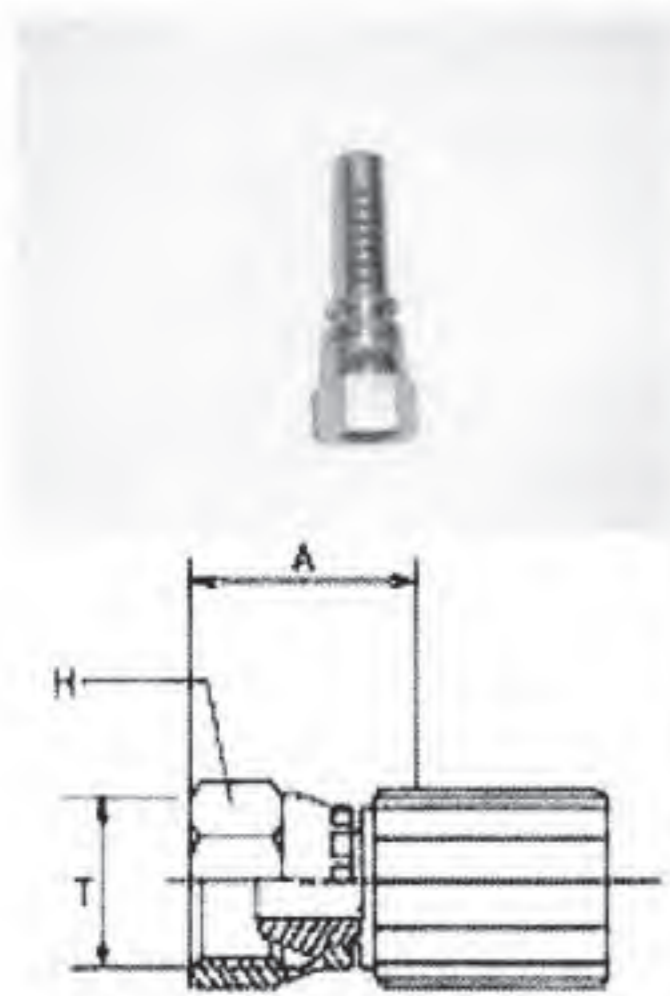
S555 SERIES – JIC COMPACT ELBOW – MULTISPIRAL TAIL									
PART NUMBER	HOSE BORE	THREAD	DIMENSIONS mm						
	I	T	A	B	C	D	E	H1	H2
S555-17-12 (L)	3/4"	1-1/16 – 12	35			47		38	32
S555-21-16 (L)	1"	1-5/16 – 12	37			54		44	38
S555-26-20 (L)	1-1/4"	1-5/8 – 12	44			61		48	50.8
S555-30-24 • (L)	1-1/2"	1-7/8 – 12	44			61		57	57



Contents Page

S666 SERIES – ‘ORS’ FEMALE SWIVEL 45° ELBOW – STANDARD TAIL									
PART NUMBER	HOSE BORE	THREAD	DIMENSIONS mm						
	I	T	A	B	C	D	E	H	L
S666-09-04 (VS)	1/4"	9/16 – 18	46			13		19	
S666-11-06 (VS)	3/8"	11/16 – 16	49			22.5		22	
S666-13-08 (VS)	1/2"	13/16 – 16	58			15		26	
S666-16-10 (VS)	5/8"	1 – 14	52			22		32	
S666-19-12 (VS)	3/4"	1-3/16 – 12	60			32		35	
S666-23-16 (VS)	1"	1-7/16 – 12	72			29		41	
S666-27-20 (VS)	1-1/4"	1-11/16 – 12	73			38		48	
S666-32-24 (VS)	1-1/2"	2 – 12	90			39		57	

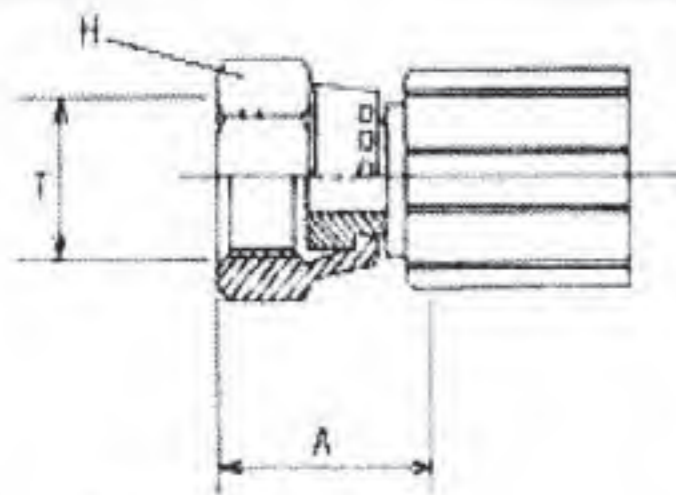
S666 SERIES – ‘ORS’ FEMALE SWIVEL 45° ELBOW – MULTISPIRAL TAIL									
PART NUMBER	HOSE BORE	THREAD	DIMENSIONS mm						
	I	T	A	B	C	D	E	H	L
S666-19-12 (VL)	3/4"	1-3/16 – 12	60			32		35	
S666-23-16 (VL)	1"	1-7/16 – 12	72			29		41	
S666-27-20 (VL)	1-1/4"	1-11/16 – 12	73			38		48	
S666-32-24 (VL)	1-1/2"	2 – 12	90			39		57	



Contents Page

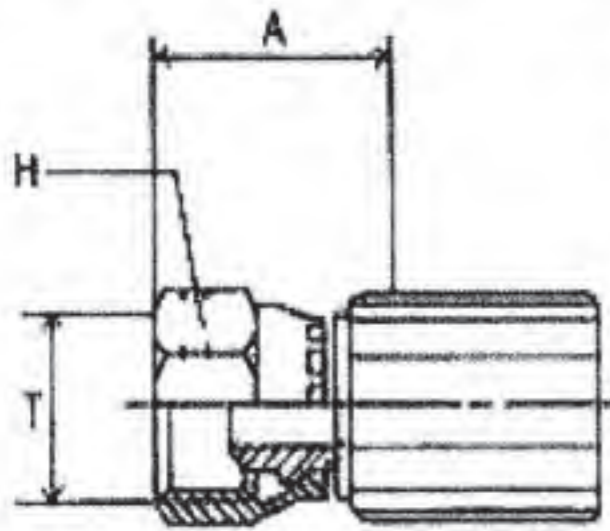
S801 SERIES – METRIC FEMALE 60° SEAT ANGLE – STANDARD TAIL									
PART NUMBER	HOSE BORE	THREAD	DIMENSIONS mm						
	I	T	A	B	C	D	E	H	L
S801-12-04 (S)	1/4"	12 x 1.5	20					16	
S801-14-04 (S)	1/4"	14 x 1.5	20					19	
S801-16-04 (S)	1/4"	16 x 1.5	20					22	
S801-14-06 (S)	3/8"	14 x 1.5	20					19	
S801-16-06 (S)	3/8"	16 x 1.5	23					22	
S801-18-06 (S)	3/8"	18 x 1.5	23					22	
S801-22-06 (S)	3/8"	22 x 1.5	24					26	
S801-22-08 (S)	1/2"	22 x 1.5	24					26	
S801-26-10 (S)	5/8"	26 x 1.5	25					32	
S801-30-12 (S)	3/4"	30 x 1.5	27					35	
S801-38-16 (S)	1"	38 x 1.5	31					44	
S801-45-20 • (S)	1-1/4"	45 x 1.5	36					57	
S801-52-24 • (S)	1-1/2"	52 x 1.5	42					60	

S801 SERIES – METRIC FEMALE 60° SEAT ANGLE – MULTISPIRAL TAIL									
PART NUMBER	HOSE BORE	THREAD	DIMENSIONS mm						
	I	T	A	B	C	D	E	H	L
S801-30-12 (L)	3/4"	30 x 1.5	27					35	
S801-38-16 (L)	1"	38 x 1.5	31					44	
S801-45-20 • (L)	1-1/4"	45 x 1.5	36					57	
S801-52-24 • (L)	1-1/2"	52 x 1.5	42					60	



Contents Page

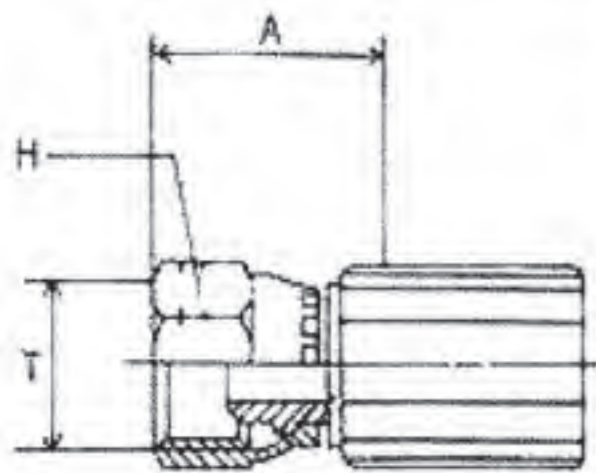
S802 SERIES – METRIC FEMALE – FLAT SEAT – STANDARD TAIL										
PART NUMBER	HOSE BORE	THREAD	DIMENSIONS mm							
	I	T	A	B	C	D	E	H	L	
S802-18-06 (S)	3/8"	18 x 1.5	26					22		
S802-20-06 (S)	3/8"	20 x 1.5	26					26		
S802-20-08 (S)	1/2"	20 x 1.5	33					26		
S802-22-08 (S)	1/2"	22 x 1.5	33					26		



Contents Page

S803 SERIES – METRIC FEMALE – LIGHT DUTY TYPE 24° SEAT ANGLE – STANDARD TAIL									
PART NUMBER	HOSE BORE	THREAD	DIMENSIONS mm						
	I	T	A	B	C	D	E	H	L
S803-12-04 (S)	1/4"	12 x 1.5	19					16	
S803-14-04 (S)	1/4"	14 x 1.5	19					19	
S803-16-06 (S)	3/8"	16 x 1.5	23					22	
S803-18-06 (S)	3/8"	18 x 1.5	24					22	
S803-22-08 (S)	1/2"	22 x 1.5	24					26	
S803-26-08 (S)	1/2"	26 x 1.5	27					32	
S803-26-10 (S)	5/8"	26 x 1.5	27					32	
S803-30-12 (S)	3/4"	30 x 2	28					35	
S803-36-16 (S)	1"	36 x 2	31					44	
S803-45-20 • (S)	1-1/4"	45 x 2	41					57	
S803-52-24 • (S)	1-1/2"	52 x 2	43					60	

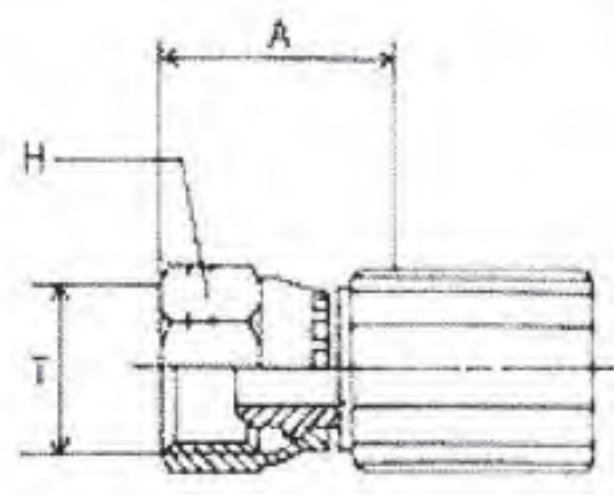
S803 SERIES – METRIC FEMALE – LIGHT DUTY TYPE 24° SEAT ANGLE – MULTISPIRAL TAIL									
PART NUMBER	HOSE BORE	THREAD	DIMENSIONS mm						
	I	T	A	B	C	D	E	H	L
S803-30-12 (L)	3/4"	30 x 2	28					35	
S803-36-16 (L)	1"	36 x 2	31					44	
S803-45-20 • (L)	1-1/4"	45 x 2	41					57	
S803-52-24 • (L)	1-1/2"	52 x 2	43					60	



Contents Page

S804 SERIES – METRIC FEMALE – HEAVY DUTY 24° SEAT ANGLE – STANDARD TAIL										
PART NUMBER	HOSE BORE	THREAD	DIMENSIONS mm							
	I	T	A	B	C	D	E	H	L	
S804-16-04 (S)	1/4"	16 x 1.5	22					22		
S804-18-04 (S)	1/4"	18 x 1.5	23					22		
S804-22-06 (S)	3/8"	22 x 1.5	25					26		
S804-24-08 (S)	1/2"	24 x 1.5	26					29		
S804-30-10 (S)	5/8"	30 x 2	28					35		
S804-36-12 (S)	3/4"	36 x 2	31					44		
S804-42-16 • (S)	1"	42 x 2	39					48		
S804-52-16 • (S)	1"	52 x 2	43					60		
S804-52-20 • (S)	1-1/4"	52 x 2	43					60		

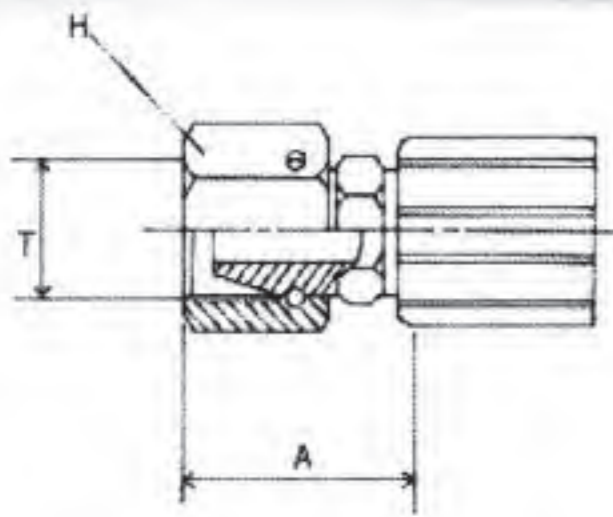
S804 SERIES – METRIC FEMALE – HEAVY DUTY 24° SEAT ANGLE – MULTISPIRAL TAIL										
PART NUMBER	HOSE BORE	THREAD	DIMENSIONS mm							
	I	T	A	B	C	D	E	H	L	
S804-36-12 (L)	3/4"	36 x 2	31					44		
S804-42-16 • (L)	1"	42 x 2	39					48		
S804-52-16 • (L)	1"	52 x 2	43					60		
S804-52-20 • (L)	1-1/4"	52 x 2	43					60		



Contents Page

S805 SERIES – METRIC STRAIGHT FEMALE – FRENCH TYPE – STANDARD TAIL									
PART NUMBER	HOSE BORE	THREAD	DIMENSIONS mm						
	I	T	A	B	C	D	E	H	L
S805-20-06 (S)	3/8"	20 x 1.5	25					26	
S805-24-08 (S)	1/2"	24 x 1.5	27					29	
S805-30-10 (S)	5/8"	30 x 1.5	30					35	
S805-30-12 (S)	3/4"	30 x 1.5	33					35	
S805-34-12 (S)	3/4"	34 x 1.5	33					44	
S805-36-12 (S)	3/4"	36 x 1.5	39					44	
S805-45-16 • (S)	1"	45 x 1.5	37					57	

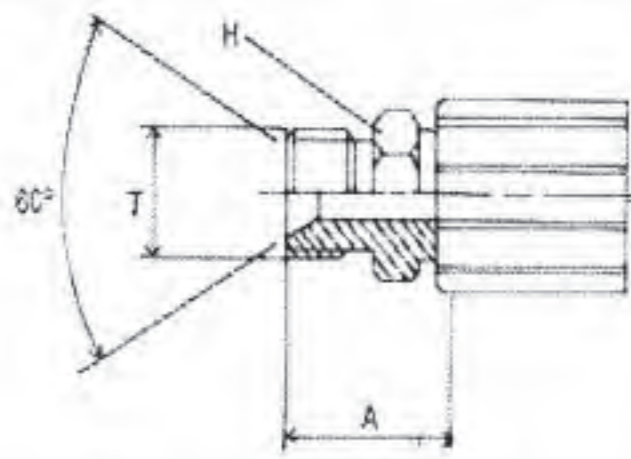
S805 SERIES – METRIC STRAIGHT FEMALE – FRENCH TYPE – MULTISPIRAL TAIL									
PART NUMBER	HOSE BORE	THREAD	DIMENSIONS mm						
	I	T	A	B	C	D	E	H	L
S805-30-12 (L)	3/4"	30 x 1.5	33					35	
S805-34-12 (L)	3/4"	34 x 1.5	33					44	
S805-36-12 (L)	3/4"	36 x 1.5	39					44	
S805-45-16 • (L)	1"	45 x 1.5	37					57	



Contents Page

S806 SERIES – '0'-RING STRAIGHT FEMALE(DKO) HEAVY DUTY TYPE – STANDARD TYPE									
PART NUMBER	HOSE BORE	THREAD	DIMENSIONS mm						
	I	T	A	B	C	D	E	H	L
S806-20-06 (S)	3/8"	20 x 1.5	36					26	
S806-22-06 (S)	3/8"	22 x 1.5	37					26	
S806-24-08 (S)	1/2"	24 x 1.5	39					29	
S806-30-10 (S)	5/8"	30 x 2	46					35	
S806-36-12 (S)	3/4"	36 x 2	47					44	
S806-42-16 (S)	1"	42 x 2	52					48	
S806-52-16 (S)	1"	52 x 2	56					63	
S806-52-20 (S)	1-1/4"	52 x 2	56					63	

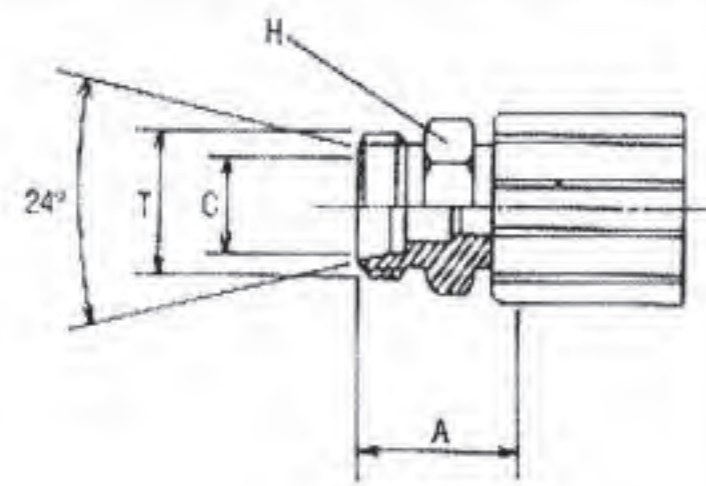
S806 SERIES – '0'-RING STRAIGHT FEMALE(DKO) HEAVY DUTY TYPE – MULTISPIRAL TAIL									
PART NUMBER	HOSE BORE	THREAD	DIMENSIONS mm						
	I	T	A	B	C	D	E	H	L
S806-36-12 (L)	3/4"	36 x 2	47					44	
S806-42-16 (L)	1"	42 x 2	52					48	
S806-52-16 (L)	1"	52 x 2	56					63	
S806-52-20 (L)	1-1/4"	52 x 2	56					63	



Contents Page

S811 SERIES – METRIC MALE 60° SEAT – STANDARD TAIL									
PART NUMBER	HOSE BORE	THREAD	DIMENSIONS mm						
	I	T	A	B	C	D	E	H	L
S811-12-04 (S)	1/4"	12 x 1.5	23					16	
S811-14-04 (S)	1/4"	14 x 1.5	23					16	
S811-16-04 (S)	1/4"	16 x 1.5	27					19	
S811-14-06 (S)	3/8"	14 x 1.5	25					16	
S811-16-06 (S)	3/8"	16 x 1.5	28					19	
S811-18-06 (S)	3/8"	18 x 1.5	28					19	
S811-18-08 (S)	1/2"	18 x 1.5	28					19	
S811-22-08 (S)	1/2"	22 x 1.5	31					26	
S811-26-10 (S)	5/8"	26 x 1.5	33					29	
S811-30-12 (S)	3/4"	30 x 1.5	37					32	
S811-38-16 (S)	1"	38 x 1.5	40					44	
S811-45-20 (S)	1-1/4"	45 x 1.5	42					48	

S811 SERIES – METRIC MALE 60° SEAT – MULTISPIRAL TAIL									
PART NUMBER	HOSE BORE	THREAD	DIMENSIONS mm						
	I	T	A	B	C	D	E	H	L
S811-30-12 (L)	3/4"	30 x 1.5	37					32	
S811-38-16 (L)	1"	38 x 1.5	40					44	
S811-45-20 (L)	1-1/4"	45 x 1.5	42					48	



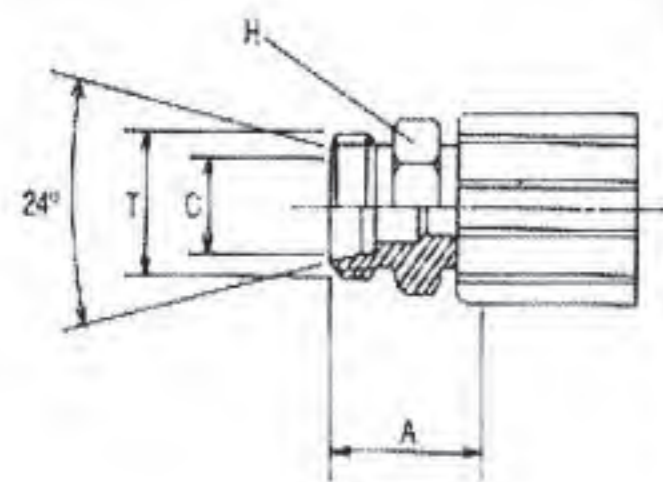
Contents Page

**S813 SERIES – METRIC MALE 24° SEAT LIGHT DUTY TYPE
– STANDARD TAIL**

PART NUMBER	HOSE BORE	THREAD	DIMENSIONS mm						
		T	A	B	C	D	E	H	L
S813-12-04 (S)	1/4"	12 x 1.5	22		6			16	
S813-14-04 (S)	1/4"	14 x 1.5	22		8			16	
S813-16-06 (S)	3/8"	16 x 1.5	25		10			19	
S813-18-06 (S)	3/8"	18 x 1.5	25		12			22	
S813-22-08 (S)	1/2"	22 x 1.5	28		15			26	
S813-26-08 (S)	1/2"	26 x 1.5	28		18			29	
S813-26-10 (S)	5/8"	26 x 1.5	28		18			29	
S813-26-12 (S)	3/4"	26 x 1.5	31		18			29	
S813-30-12 (S)	3/4"	30 x 2	33		22			32	
S813-36-12 (S)	3/4"	36 x 2	36		28			38	
S813-45-20 (S)	1-1/4"	45 x 2	40		35			48	
S813-52-24 (S)	1-1/2"	52 x 2	40		42			57	

**S813 SERIES – METRIC MALE 24° SEAT LIGHT DUTY TYPE
– MULTISPIRAL TAIL**

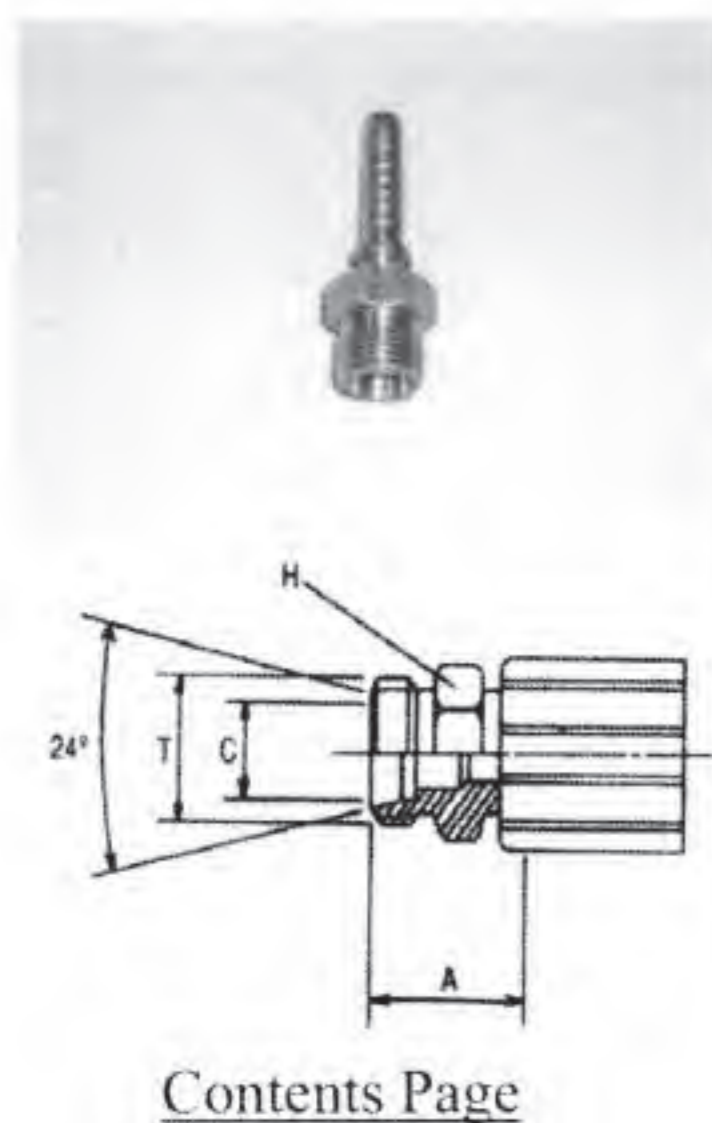
PART NUMBER	HOSE BORE	THREAD	DIMENSIONS mm						
	I	T	A	B	C	D	E	H	L
S813-26-12 (L)	3/4"	26 x 1.5	31		18			29	
S813-30-12 (L)	3/4"	30 x 2	33		22			32	
S813-36-12 (L)	3/4"	36 x 2	36		28			38	
S813-45-20 (L)	1-1/4"	45 x 2	40		35			48	
S813-52-24 (L)	1-1/2"	52 x 2	40		42			57	



Contents Page

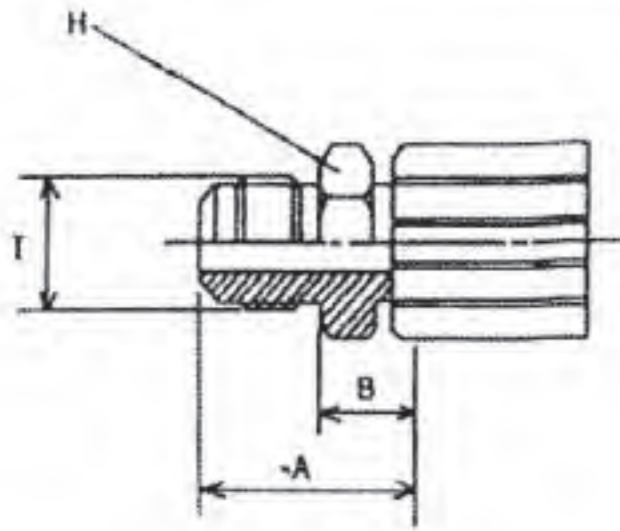
S814 SERIES – METRIC MALE 24° SEAT HEAVY DUTY TYPE – STANDARD TAIL									
PART NUMBER	HOSE BORE	THREAD	DIMENSIONS mm						
	I	T	A	B	C	D	E	H	L
S814-16-04 (S)	1/4"	16 x 1.5	25		10			19	
S814-18-04 (S)	1/4"	18 x 1.5	25		10			22	
S814-18-06 (S)	3/8"	18 x 1.5	27		10			22	
S814-20-06 (S)	3/8"	20 x 1.5	27		12			22	
S814-22-06 (S)	3/8"	22 x 1.5	29		14			26	
S814-24-08 (S)	1/2"	24 x 1.5	30		16			26	
S814-30-10 (S)	5/8"	30 x 2	32		20			32	
S814-30-12 (S)	3/4"	30 x 2	35		20			32	
S814-36-12 (S)	3/4"	36 x 2	37		25			38	
S814-36-16 (S)	1"	36 x 2	40		25			38	
S814-42-16 (S)	1"	42 x 2	42		30			44	
S814-52-16 (S)	1"	52 x 2	44		38			57	
S814-42-20 (S)	1-1/4"	42 x 2	44		30			48	
S814-52-20 (S)	1-1/4"	52 x 2	46		38			57	

S814 SERIES – METRIC MALE 24° SEAT HEAVY DUTY TYPE – MULTISPIRAL TAIL									
PART NUMBER	HOSE BORE	THREAD	DIMENSIONS mm						
	I	T	A	B	C	D	E	H	L
S814-30-12 (L)	3/4"	30 x 2	35		20			32	
S814-36-12 (L)	3/4"	36 x 2	37		25			38	
S814-36-16 (L)	1"	36 x 2	40		25			38	
S814-42-16 (L)	1"	42 x 2	42		30			44	
S814-52-16 (L)	1"	52 x 2	44		38			57	
S814-42-20 (L)	1-1/4"	42 x 2	44		30			48	
S814-52-20 (L)	1-1/4"	52 x 2	46		38			57	



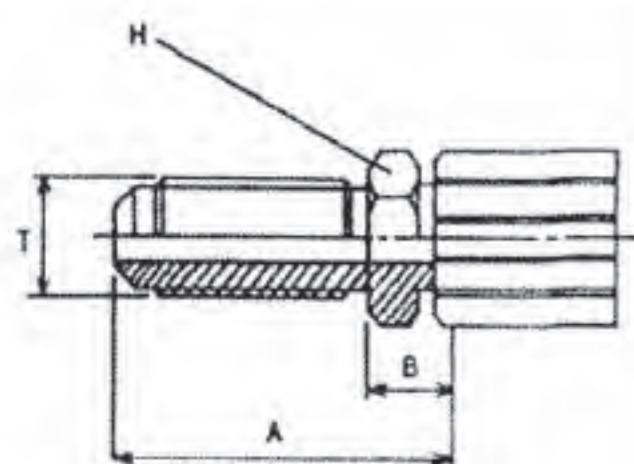
S815 SERIES – METRIC MALE – FRENCH TYPE – STANDARD TAIL									
PART NUMBER	HOSE BORE	THREAD	DIMENSIONS mm						
	I	T	A	B	C	D	E	H	L
S815-20-06 (S)	3/8"	20 x 1.5	26		13.25			22	
S815-24-08 (S)	1/2"	24 x 1.5	28		16.75			26	
S815-30-10 (S)	5/8"	30 x 1.5	30		21.25			32	
S815-30-12 (S)	3/4"	30 x 1.5	31		22			32	
S815-36-12 (S)	3/4"	36 x 1.5	31		26.75			38	
S815-45-16 (S)	1"	45 x 1.5	36		33.5			48	
S815-45-20 (S)	1-1/4"	45 x 1.5	37		33.5			48	

S815 SERIES – METRIC MALE – FRENCH TYPE – MULTISPIRAL TAIL									
PART NUMBER	HOSE BORE	THREAD	DIMENSIONS mm						
	I	T	A	B	C	D	E	H	L
S815-30-12 (L)	3/4"	30 x 1.5	31		22			32	
S815-36-12 (L)	3/4"	36 x 1.5	31		26.75			38	
S815-45-16 (L)	1"	45 x 1.5	36		33.5			48	
S815-45-20 (L)	1-1/4"	45 x 1.5	37		33.5			48	



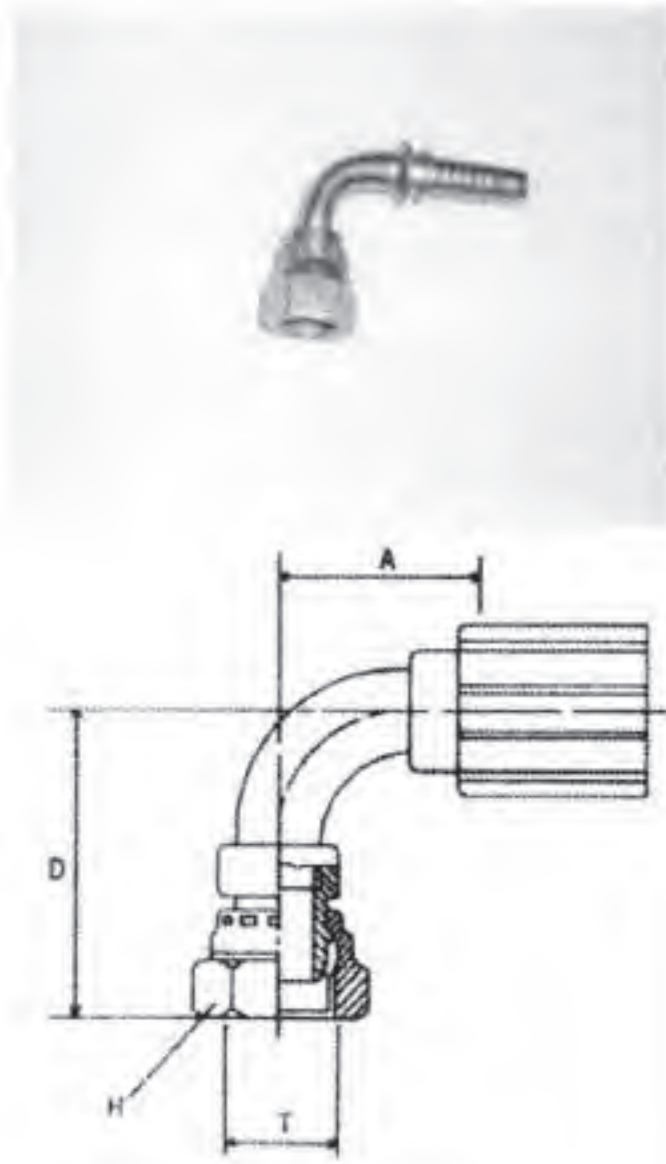
Contents Page

S818 JIS 30° FLARE MALE - STANDARD TAIL									
PART NUMBER	HOSE BORE	THREAD	DIMENSIONS mm						
	I	T	A	B	C	D	E	H	L
S818-10-04 (1.0)(S)	1/4"	1.0	27.7	12.7				12.7	
S818-12-04 (1.0)(S)	1/4"	1.0	28.2	12.7				16	
S818-12-04 (1.5)(S)	1/4"	1.5	28.2	12.7				16	
S818-12-06 (1.5)(S)	3/8"	1.5	28.5	13				16	
S818-14-04 (S)	1/4"	1.5	28.7	12.7				16	
S818-14-06 (S)	3/8"	1.5	31	15				16	
S818-16-06 (S)	3/8"	1.5	32	15				19	
S818-22-08 (S)	1/2"	1.5	38	17				26	



Contents Page

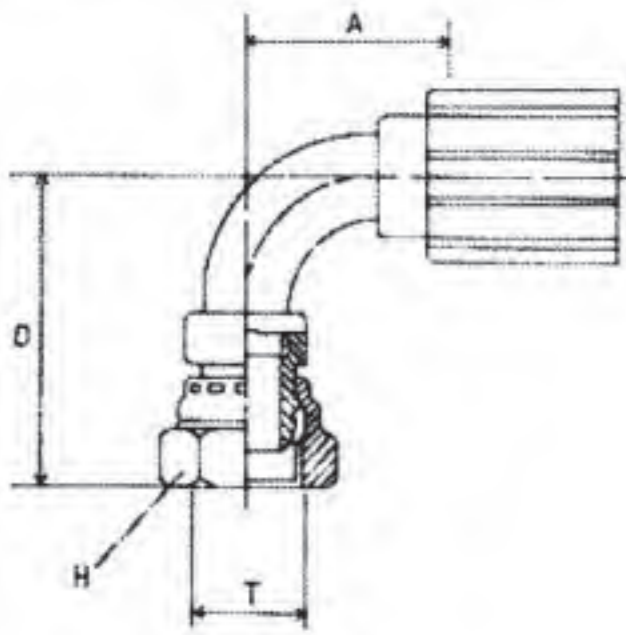
S819 JIS BULKHEAD MALE 30° SEAT ANGLE - STANDARD TAIL									
PART NUMBER	HOSE BORE	THREAD	DIMENSIONS mm						
	I	T	A	B	C	D	E	H	L
S819-10-04 (1.0) (S)	1/4"	1.0	39.7	12.2				12.7	
S819-10-04 (1.25) (S)	1/4"	1.25	39.7	12.2				12.7	
S819-10-04 (1.5) (S)	1/4"	1.5	39.7	12.2				12.7	
S819-12-04 (1.0) (S)	1/4"	1.0	44.7	12.7				16	
S819-12-04 (1.5) (S)	1/4"	1.5	44.7	12.7				16	
S819-12-06 (1.5) (S)	3/8"	1.5	43.2	11.2				16	
S819-14-04 (S)	1/4"	1.5	44.7	12.7				16	
S819-14-06 (S)	3/8"	1.5	43.2	11.2				16	
S819-16-06 (S)	3/8"	1.5	44.2	13.2				19	
S819-18-06 (S)	3/8"	1.5	45.2	13.2				19	
S819-20-06 (S)	3/8"	1.5	49.7	15.2				22	
S819-16-08 (S)	1/2"	1.5	44.5	13.5				19	
S819-20-08 (S)	1/2"	1.5	50	15.5				22	
S819-22-08 (S)	1/2"	1.5	50	15.5				26	



Contents Page

S851 SERIES – METRIC 90° SWEEP ELBOW 60° CONE (SOLID PIECE) – STANDARD TAIL									
PART NUMBER	HOSE BORE	THREAD	DIMENSIONS mm						
	I	T	A	B	C	D	E	H	L
S851-14-04 (VS)	1/4"	14 x 1.5	28			39		19	
S851-16-06 (VS)	3/8"	16 x 1.5	33			47		22	
S851-18-06 (VS)	3/8"	18 x 1.5	33			48		22	
S851-22-08 (VS)	1/2"	22 x 1.5	39			55		26	
S851-26-10 (VS)	5/8"	26 x 1.5	44			65		32	
S851-30-12 (VS)	3/4"	30 x 1.5	50			67		35	
S851-38-16 (VS)	1"	38 x 1.5	62			79		44	
S851-45-20 (VS)	1-1/4"	45 x 1.5	69			82		57	

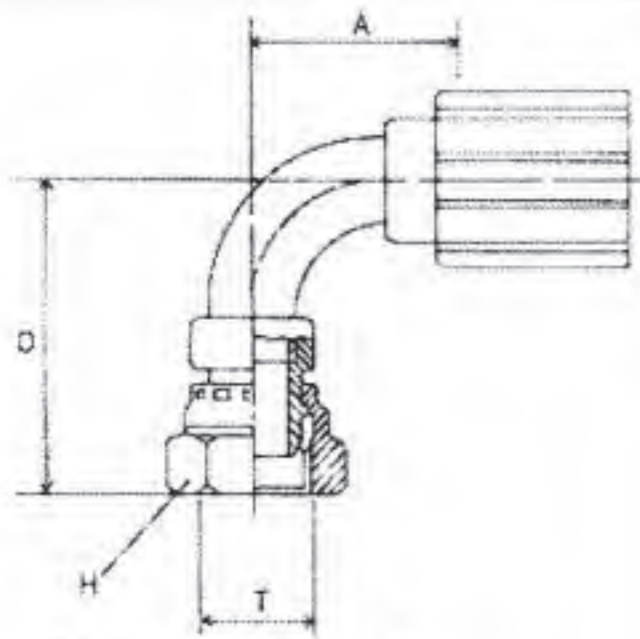
S851 SERIES – METRIC 90° SWEEP ELBOW 60° CONE (SOLID PIECE) – MULTISPIRAL TAIL									
PART NUMBER	HOSE BORE	THREAD	DIMENSIONS mm						
	I	T	A	B	C	D	E	H	L
S851-30-12 (VL)	3/4"	30 x 1.5	50			67		35	
S851-38-16 (VL)	1"	38 x 1.5	62			79		44	
S851-45-20 (VL)	1-1/4"	45 x 1.5	69			82		57	



Contents Page

S853 SERIES – METRIC 90° SWEPT ELBOW – LIGHT DUTY 24° SEAT – STANDARD TAIL (SOLID PIECE)									
PART NUMBER	HOSE BORE	THREAD	DIMENSIONS mm						
	I	T	A	B	C	D	E	H	L
S853-14-04 (VS)	1/4"	14 x 1.5	28			40		19	
S853-18-06 (VS)	3/8"	18 x 1.5	33			48		22	
S853-22-08 (VS)	1/2"	22 x 1.5	39			55		26	
S853-26-10 (VS)	5/8"	26 x 1.5	44			65		32	
S853-30-12 (VS)	3/4"	30 x 2	50			67		35	
S853-36-16 (VS)	1"	36 x 2	63			79		44	
S853-45-20 (VS)	1-1/4"	45 x 2	69			82		57	
S853-52-2 (VS)	1-1/2"	52 x 2	82			84		57	

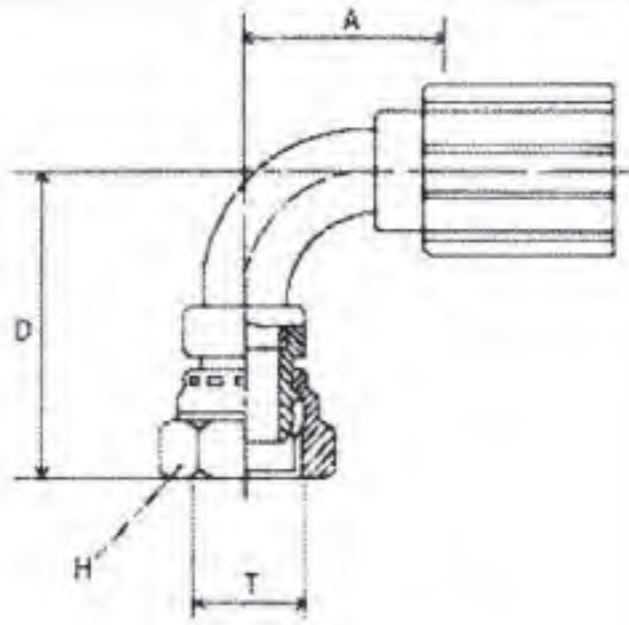
S853 SERIES – METRIC 90° SWEPT ELBOW – LIGHT DUTY 24° SEAT – MULTISPIRAL TAIL (SOLID PIECE)									
PART NUMBER	HOSE BORE	THREAD	DIMENSIONS mm						
	I	T	A	B	C	D	E	H	L
S853-30-12 (VL)	3/4"	30 x 2	50			67		35	
S853-36-16 (VL)	1"	36 x 2	63			79		44	
S853-45-20 (VL)	1-1/4"	45 x 2	69			82		57	
S853-52-24 (VL)	1-1/2"	52 x 2	82			84		57	



Contents Page

S854 SERIES – METRIC 90° SWEPT ELBOW – HEAVY DUTY 24° SEAT – STANDARD TAIL (SOLID PIECE)									
PART NUMBER	HOSE BORE	THREAD	DIMENSIONS mm						
	I	T	A	B	C	D	E	H	L
S854-18-04 (VS)	1/4"	18 x 1.5	28			41		22	
S854-22-06 (VS)	3/8"	22 x 1.5	32			46		26	
S854-24-08 (VS)	1/2"	24 x 1.5	39			53		29	
S854-30-10 (VS)	5/8"	30 x 2	44			58		35	
S854-36-12 (VS)	3/4"	36 x 2	50			66		44	
S854-42-16 (VS)	1"	42 x 2	63			75		48	
S854-52-20 • (VS)	1-1/4"	52 x 2	69			84		57	

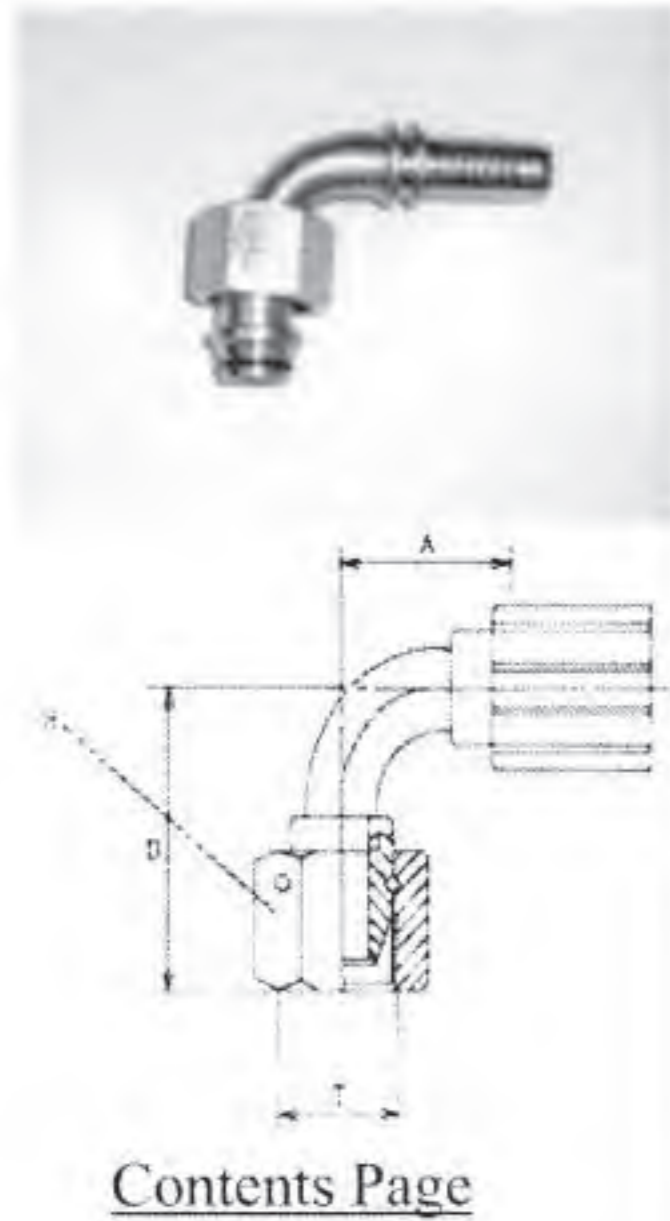
S854 SERIES – METRIC 90° SWEPT ELBOW – HEAVY DUTY 24° SEAT – MULTISPIRAL TAIL (SOLID PIECE)									
PART NUMBER	HOSE BORE	THREAD	DIMENSIONS mm						
	I	T	A	B	C	D	E	H	L
S854-36-12 (VL)	3/4"	36 x 2	50			66		44	
S854-42-16 (VL)	1"	42 x 2	63			75		48	
S854-52-20 (VL)	1-1/4"	52 x 2	69			84		57	



Contents Page

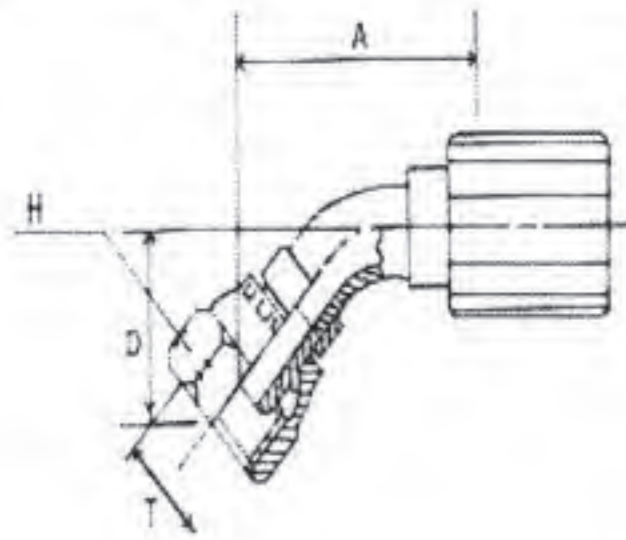
S855 SERIES – METRIC 90° SWEPT ELBOW – FRENCH TYPE 24° SEAT – STANDARD TAIL (SOLID PIECE)									
PART NUMBER	HOSE BORE	THREAD	DIMENSIONS mm						
	I	T	A	B	C	D	E	H	L
S855-20-06 (VS)	3/8"	20 x 1.5	33			48		26	
S855-24-08 (VS)	1/2"	24 x 1.5	39			56		29	
S855-30-10 (VS)	5/8"	30 x 1.5	44			64		35	
S855-36-12 (VS)	3/4"	36 x 1.5	50			65		44	
S855-45-16 (VS)	1"	45 x 1.5	63			77		57	

S855 SERIES – METRIC 90° SWEPT ELBOW – FRENCH TYPE 24° SEAT – MLTISPIRAL TAIL (SOLID PIECE)									
PART NUMBER	HOSE BORE	THREAD	DIMENSIONS mm						
	I	T	A	B	C	D	E	H	L
S855-36-12 (VL)	3/4"	36 x 1.5	50			65		44	
S855-45-16 (VL)	1"	45 x 1.5	63			77		57	



S856 SERIES – METRIC 90° ‘O’-RING SWEPT ELBOW (DKO) – STANDARD TAIL (SOLID PIECE)									
PART NUMBER	HOSE BORE	THREAD	DIMENSIONS mm						
	I	T	A	B	C	D	E	H	L
S856-20-06 • (VS)	3/8"	20 x 1.5	32			44		26	
S856-22-06 • (VS)	3/8"	22 x 1.5	32			47		26	
S856-24-08 • (VS)	1/2"	24 x 1.5	39			53		29	
S856-30-10 • (VS)	5/8"	30 x 2	44			58		35	
S856-36-12 • (VS)	3/4"	36 x 2	50			64		44	
S856-42-16 • (VS)	1"	42 x 2	63			76		48	
S856-52-16 • (VS)	1"	52 x 2	63			86		65	
S856-52-20 • (VS)	1-1/4"	52 x 2	69			86		65	

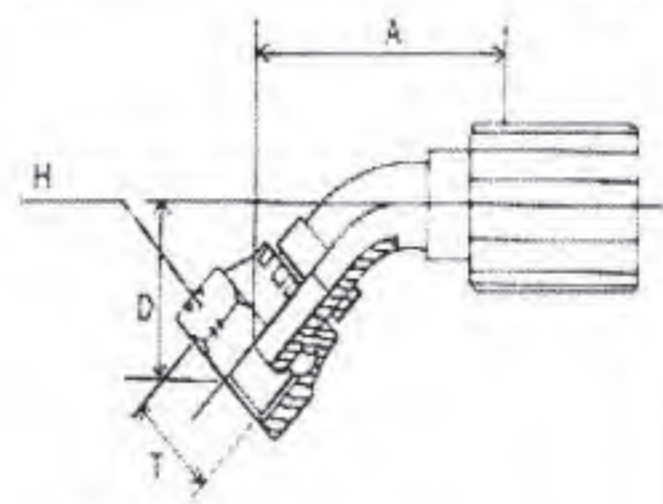
S856 SERIES – METRIC 90° ‘O’-RING SWEPT ELBOW (DKO) – MULTISPIRAL TAIL (SOLID PIECE)									
PART NUMBER	HOSE BORE	THREAD	DIMENSIONS mm						
	I	T	A	B	C	D	E	H	L
S856-36-12 • (VL)	3/4"	36 x 2	50			64		44	
S856-42-16 • (VL)	1"	42 x 2	63			76		48	
S856-52-16 • (VL)	1"	52 x 2	63			86		65	
S856-52-20 • (VL)	1-1/4"	52 x 2	69			86		65	



Contents Page

S861 SERIES – METRIC 45° SWEPT ELBOW 60° SEAT – STANDARD TAIL (SOLID PIECE)									
PART NUMBER	HOSE BORE	THREAD	DIMENSIONS mm						
	I	T	A	B	C	D	E	H	L
S861-14-04 (VS)	1/4"	14 x 1.5	40			25		19	
S861-16-06 (VS)	3/8"	16 x 1.5	44			26		22	
S861-18-06 (VS)	3/8"	18 x 1.5	45			26		22	
S861-22-08 (VS)	1/2"	22 x 1.5	45			30		26	
S861-26-10 (VS)	5/8"	26 x 1.5	57			35		32	
S861-30-12 (VS)	3/4"	30 x 1.5	57			36		35	
S861-38-16 (VS)	1"	38 x 1.5	69			41		44	
S861-45-20 (VS)	1-1/4"	45 x 1.5	77			45		57	

S861 SERIES – METRIC 45° SWEPT ELBOW 60° SEAT – MULTISPIRAL TAIL (SOLID PIECE)									
PART NUMBER	HOSE BORE	THREAD	DIMENSIONS mm						
	I	T	A	B	C	D	E	H	L
S861-30-12 (VL)	3/4"	30 x 1.5	57			36		35	
S861-38-16 (VL)	1"	38 x 1.5	69			41		44	
S861-45-20 (VL)	1-1/4"	45 x 1.5	77			45		57	



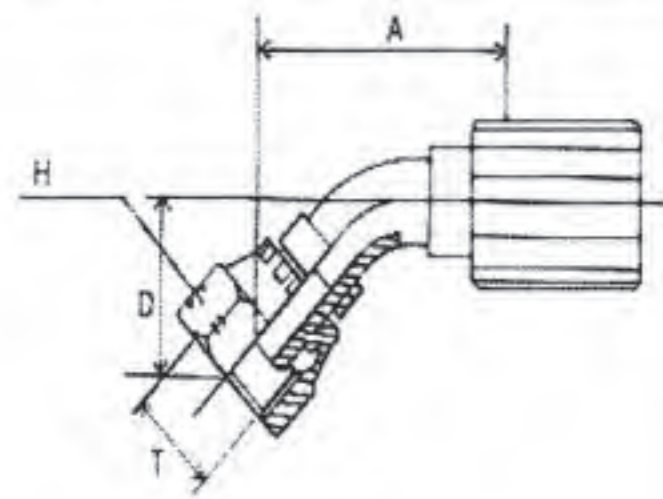
Contents Page

S863 SERIES – METRIC 45° SWEPT ELBOW – LIGHT DUTY 24° SEAT – STANDARD TAIL (SOLID PIECE)

PART NUMBER	HOSE BORE	THREAD	DIMENSIONS mm						
	I	T	A	B	C	D	E	H	L
S863-14-04 (VS)	1/4"	14 x 1.5	37			21		19	
S863-18-06 (VS)	3/8"	18 x 1.5	43			26		22	
S863-22-08 (VS)	1/2"	22 x 1.5	46			30		26	
S863-26-10 (VS)	5/8"	26 x 1.5	54			35		32	
S863-30-12 (VS)	3/4"	30 x 2	57			36		35	
S863-36-16 (VS)	1"	36 x 2	69			41		44	
S863-45-20 • (VS)	1-1/4"	45 x 2	81			45		57	
S863-52-24 • (VS)	1-1/2"	52 x 2	104			58		57	

S863 SERIES – METRIC 45° SWEPT ELBOW – LIGHT DUTY 24° SEAT – MULTISPIRAL TAIL (SOLID PIECE)

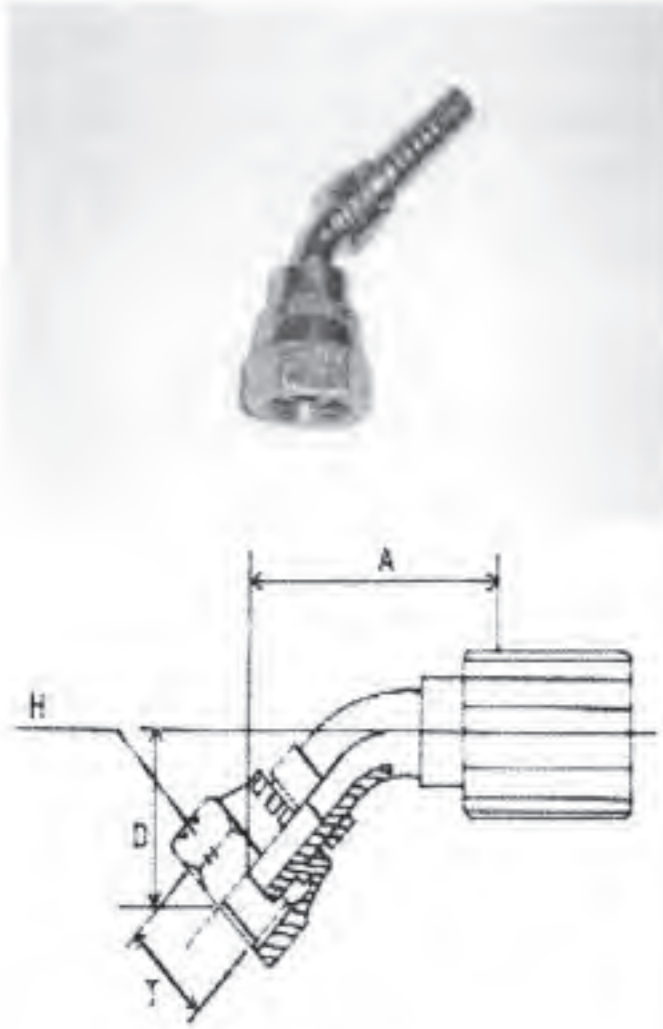
PART NUMBER	HOSE BORE	THREAD	DIMENSIONS mm						
	I	T	A	B	C	D	E	H	L
S863-30-12 (VL)	3/4"	30 x 2	57			36		35	
S863-36-16 (VL)	1"	36 x 2	69			41		44	
S863-45-20 • (VL)	1-1/4"	45 x 2	81			45		57	
S863-52-24 • (VL)	1-1/2"	52 x 2	104			58		57	



Contents Page

S864 SERIES – METRIC 45° SWEEP ELBOW – HEAVY DUTY 24° SEAT – STANDARD TAIL (SOLID PIECE)									
PART NUMBER	HOSE BORE	THREAD	DIMENSIONS mm						
	I	T	A	B	C	D	E	H	L
S864-18-04 (VS)	1/4"	18 x 1.5	39			26		22	
S864-22-06 (VS)	3/8"	22 x 1.5	42			30		26	
S864-24-08 (VS)	1/2"	24 x 1.5	46			34		29	
S864-30-10 (VS)	5/8"	30 x 2	53			36		35	
S864-36-12 (VS)	3/4"	36 x 2	59			41		44	
S864-42-16 • (VS)	1"	42 x 2	68			44		48	
S864-52-20 • (VS)	1-1/4"	52 x 2	80			45		57	

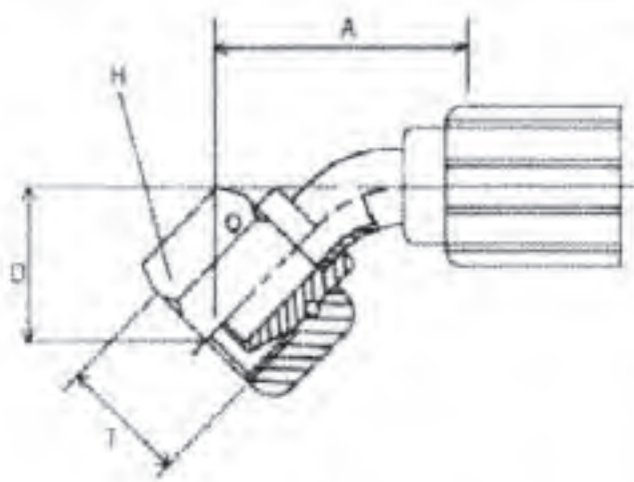
S864 SERIES – METRIC 45° SWEEP ELBOW – HEAVY DUTY 24° SEAT – MULTISPIRAL TAIL (SOLID PIECE)									
PART NUMBER	HOSE BORE	THREAD	DIMENSIONS mm						
	I	T	A	B	C	D	E	H	L
S864-36-12 (VL)	3/4"	36 x 2	59			41		44	
S864-42-16 • (VL)	1"	42 x 2	68			44		48	
S864-52-20 • (VL)	1-1/4"	52 x 2	80			45		57	



Contents Page

S865 SERIES – METRIC 45° SWEEP ELBOW – FRENCH TYPE 24° SEAT – STANDARD TAIL (SOLID PIECE)									
PART NUMBER	HOSE BORE	THREAD	DIMENSIONS mm						
	I	T	A	B	C	D	E	H	L
S865-20-06 (VS)	3/8"	20 x 1.5	49			27		26	
S865-24-08 (VS)	1/2"	24 x 1.5	56			31		29	
S865-30-10 (VS)	5/8"	30 x 1.5	56			31		35	
S865-36-12 (VS)	3/4"	36 x 1.5	62			35		44	
S865-45-16 • (VS)	1"	45 x 1.5	82			42		57	

S865 SERIES – METRIC 45° SWEEP ELBOW – FRENCH TYPE 24° SEAT – MULTISPIRAL TAIL (SOLID PIECE)									
PART NUMBER	HOSE BORE	THREAD	DIMENSIONS mm						
	I	T	A	B	C	D	E	H	L
S865-36-12 (VL)	3/4"	36 x 1.5	62			35		44	
S865-45-16 • (VL)	1"	45 x 1.5	82			42		57	



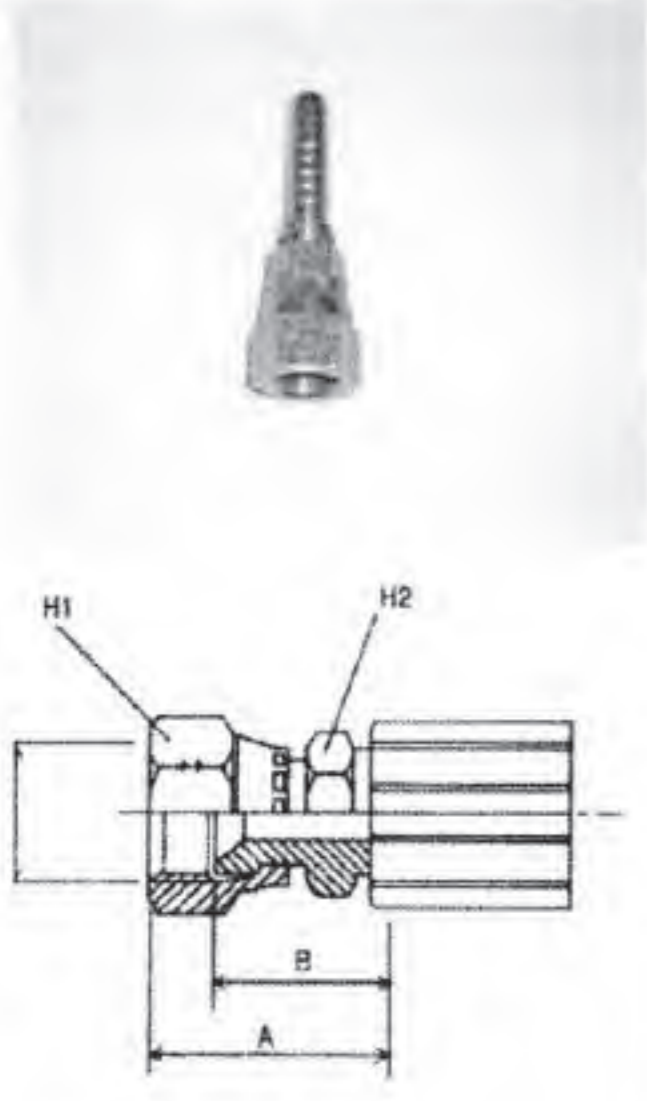
Contents Page

**S866 SERIES – METRIC 45° ‘0’ – RING SWEEP ELBOW (DKO)
– STANDARD TAIL (SOLID PIECE)**

PART NUMBER	HOSE BORE	THREAD	DIMENSIONS mm						
	I	T	A	B	C	D	E	H	L
S866-20-06 (VS)	3/8"	20 x 1.5	46			24		26	
S866-22-06 (VS)	3/8"	22 x 1.5	48			26		26	
S866-24-08 (VS)	1/2"	24 x 1.5	50			29		29	
S866-30-10 (VS)	5/8"	30 x 2	58			32		35	
S866-36-12 (VS)	3/4"	36 x 2	62			34		44	
S866-42-16 • (VS)	1"	42 x 2	71			40		48	
S866-52-16 • (VS)	1"	52 x 2	90			49		57	
S866-52-20 • (VS)	1-1/4"	52 x 2	90			49		57	

**S866 SERIES – METRIC 45° ‘0’ – RING SWEEP ELBOW (DKO)
– MULTISPIRAL TAIL (SOLID PIECE)**

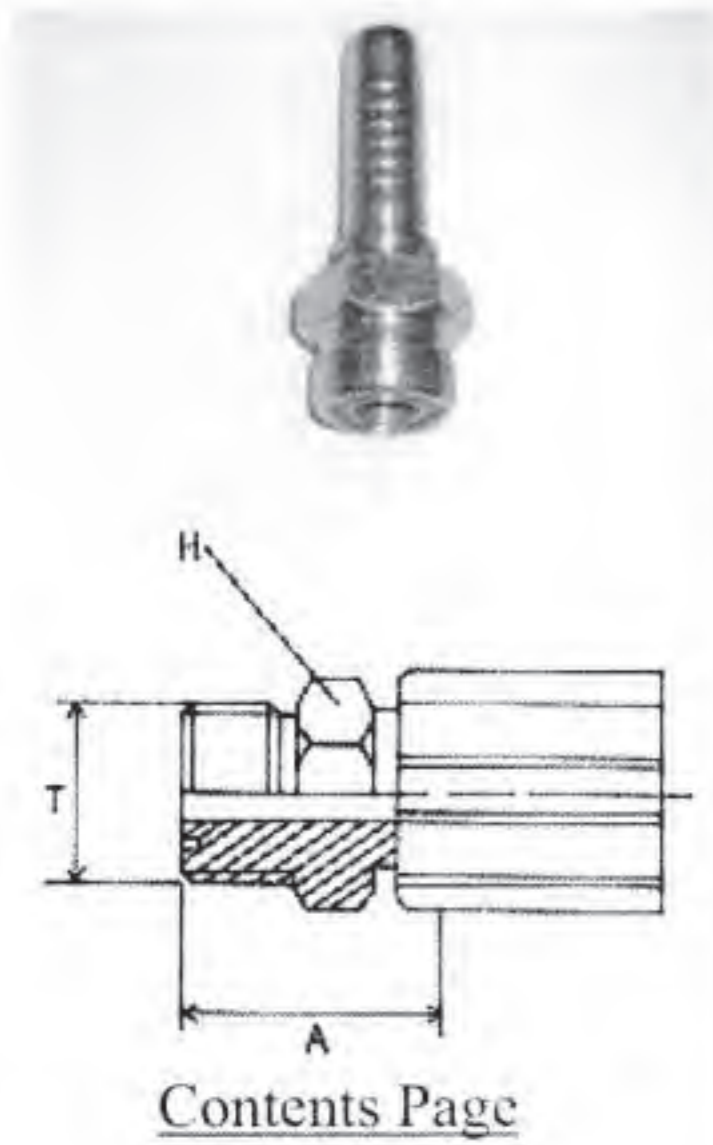
PART NUMBER	HOSE BORE	THREAD	DIMENSIONS mm						
	I	T	A	B	C	D	E	H	L
S866-36-12 (VL)	3/4"	36 x 2	62			34		44	
S866-42-16 • (VL)	1"	42 x 2	71			40		48	
S866-52-16 • (VL)	1"	52 x 2	90			49		57	
S866-52-20 • (VL)	1-1/4"	52 x 2	90			49		57	



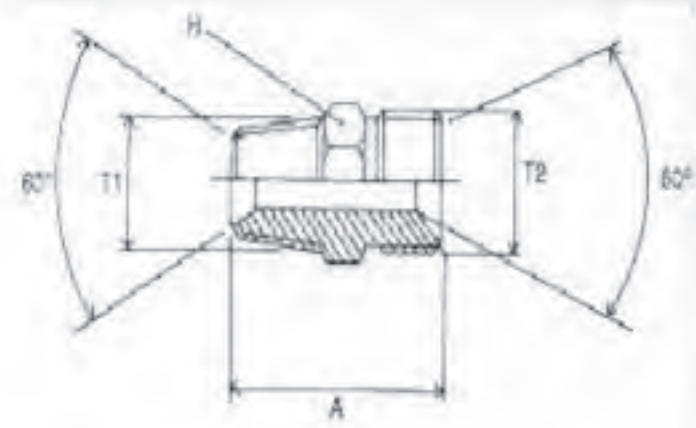
Contents Page

S870 SERIES – JAPANESE METRIC FEMALE 30° SEAT – STANDARD TAIL										
PART NUMBER	HOSE BORE	THREAD	DIMENSIONS mm							
	I	T	A	B	C	D	E	H1	H2	
S870-14-04 (S)	1/4"	14 x 1.5	22	16.5				19	16	
S870-16-06 (S)	3/8"	16 x 1.5	24	17				22	16	
S870-18-06 (S)	3/8"	18 x 1.5	26	17				22	19	
S870-22-08 (S)	1/2"	22 x 1.5	33	21				26	22	
S870-24-08 (S)	1/2"	24 x 1.5	33.5	20.5				29	26	
S870-24-10 (S)	5/8"	24 x 1.5	36.5	23.5				29	26	
S870-30-12 (S)	3/4"	30 x 1.5	36.5	23.5				35	29	
S870-33-12 (S)	3/4"	33 x 1.5	37.5	22.5				38	32	
S870-33-16 (S)	1"	33 x 1.5	37.5	22.5				38	32	
S870-36-16 (S)	1"	36 x 1.5	40	26				44		
S870-36-20 (S)	1-1/4"	36 x 1.5	45	26				44		
S870-42-20 • (S)	1-1/4"	42 x 1.5	48	28				48		
S870-42-24 • (S)	1-1/2"	42 x 1.5	48	28				48		

S870 SERIES – JAPANESE METRIC FEMALE 30° SEAT – MULTISPIRAL TAIL										
PART NUMBER	HOSE BORE	THREAD	DIMENSIONS mm							
	I	T	A	B	C	D	E	H1	H2	
S870-30-12 (L)	3/4"	30 x 1.5	36.5	23.5				35	29	
S870-33-12 (L)	3/4"	33 x 1.5	37.5	22.5				38	32	
S870-33-16 (L)	1"	33 x 1.5	37.5	22.5				38	32	
S870-36-16 (L)	1"	36 x 1.5	40	26				44		
S870-36-20 (L)	1-1/4"	36 x 1.5	45	26				44		
S870-42-20 • (L)	1-1/4"	42 x 1.5	48	28				48		
S870-42-24 • (L)	1-1/2"	42 x 1.5	48	28				48		



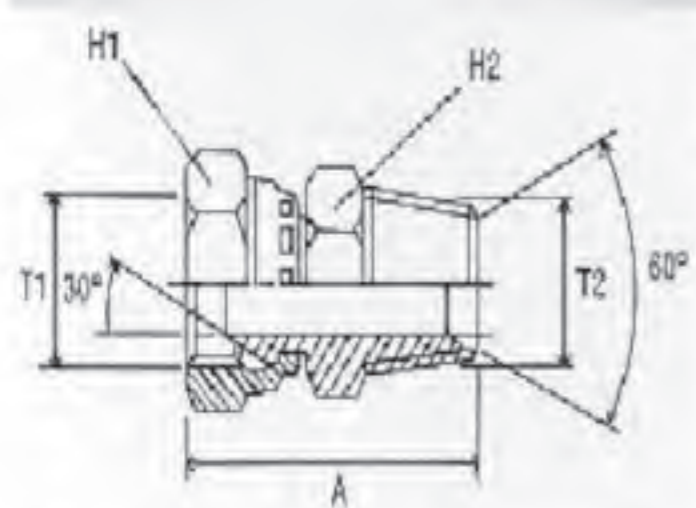
S880 SERIES – METRIC MALE WITH ‘O’ RING GROOVE – MULTISPIRAL TAIL									
PART NUMBER	HOSE BORE	THREAD	DIMENSIONS mm						
	I	T	A	B	C	D	E	H	L
S880-32-12 (L)	3/4"	32 x 1.5	32					35	
S880-40-16 (L)	1"	40 x 1.5	38					44	
S880-45-20 (L)	1-1/4	45 x 1.5	40.5					48	



Contents Page

ADAB SERIES BSPT – BSPP ADAPTORS

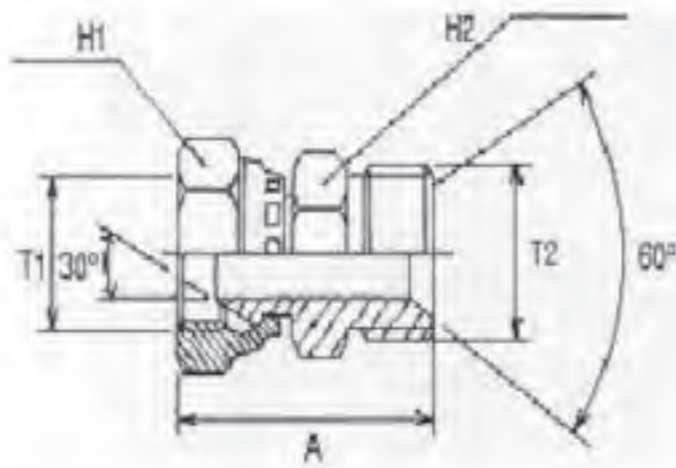
PART NUMBER	THREAD		DIMENSIONS mm							
	T1	T2	A	B	C	D	E	H	L	
ADAB-04-04	1/4 – 19	1/4 – 19	30.5					16		
ADAB-06-04	3/8 – 19	1/4 – 19	32					19		
ADAB-06-06	3/8 – 19	3/8 – 19	33.5					19		
ADAB-08-06	1/2 – 14	3/8 – 19	38.5					22		
ADAB-08-08	1/2 – 14	1/2 – 14	41.5					22		
ADAB-12-08	3/4 – 14	1/2 – 14	46					29		
ADAB-12-12	3/4 – 14	3/4 – 14	49					29		
ADAB-16-12	1" – 11	3/4 – 14	55.5					35		
ADAB-16-16	1" – 11	1" – 11	58.5					35		



Contents Page

ADCA SERIES – BSPP FEMALE – BSPT ADAPTORS

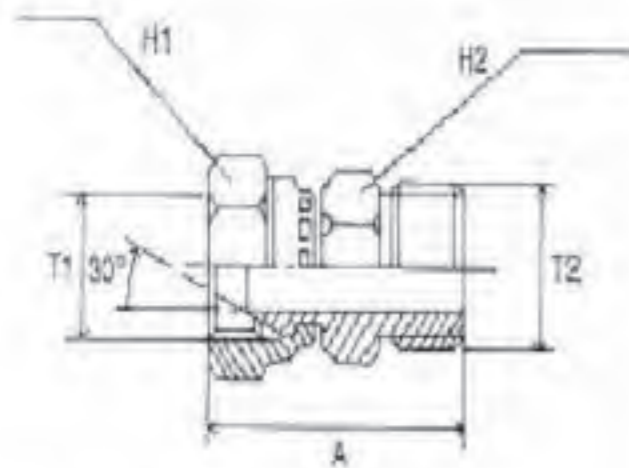
PART NUMBER	THREAD		DIMENSIONS mm							
	T1	T2	A	B	C	D	E	H1	H2	
ADCA-04-04	1/4 – 19	1/4 – 19	35.5					19	16	
ADCA-04-06	1/4 – 19	3/8 – 19	36.5					19	19	
ADCA-06-06	3/8 – 19	3/8 – 19	37.5					22	19	
ADCA-06-08	3/8 – 19	1/2 – 14	43					22	22	
ADCA-08-08	1/2 – 14	1/2 – 14	44					26	22	
ADCA-08-12	1/2 – 14	3/4 – 14	48.5					26	29	
ADCA-12-12	3/4 – 14	3/4 – 14	55					32	29	
ADCA-12-16	3/4 – 14	1" – 11	61.5					32	35	
ADCA-16-16	1" – 11	1" – 11	65.5					38	35	



Contents Page

ADCB SERIES – BSPP FEMALE – BSPP ADAPTORS

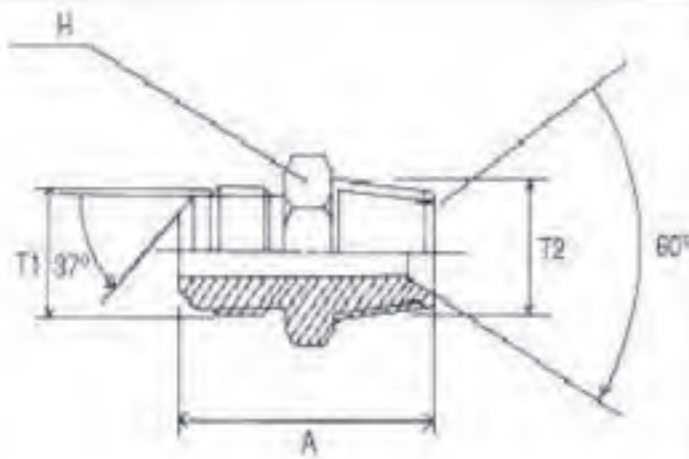
PART NUMBER	THREAD		DIMENSIONS mm							
	T1	T2	A	B	C	D	E	H1	H2	
ADCB-04-04	1/4 – 19	1/4 – 19	33.5						19	16
ADCB-06-06	3/8 – 19	3/8 – 19	36.5						22	19
ADCB-08-08	1/2 – 14	1/2 – 14	42.5						26	22
ADCB-12-12	3/4 – 14	3/4 – 14	53.5						32	29
ADCB-16-16	1" – 11	1" – 11	64						38	35



Contents Page

ADCN SERIES – BSPP FEMALE – UN '0' –RING BOSS ADAPTORS

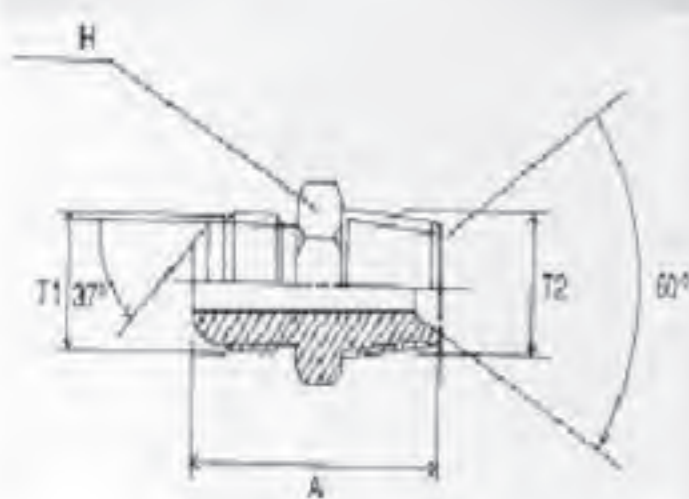
PART NUMBER	THREAD		DIMENSIONS mm							
	T1	T2	A	B	C	D	E	H1	H2	
ADCN-08-12	1/2 – 14	3/4 – 16	38						26	22
ADCN-08-14	1/2 – 14	7/8 – 14	41.7						26	26



Contents Page

ADGA SERIES – JIC-BSPT ADAPTORS

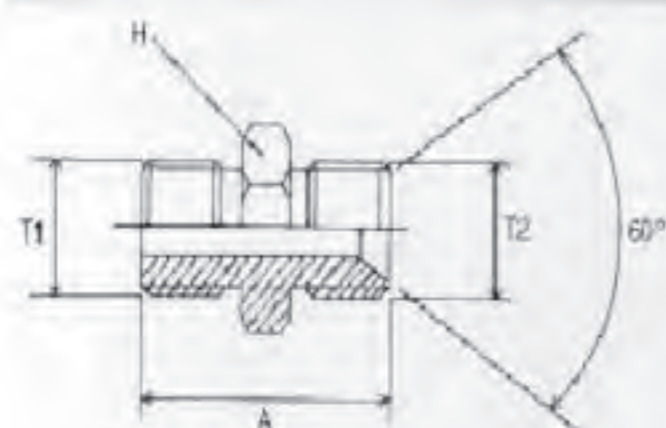
PART NUMBER	THREAD		DIMENSIONS mm							
	I	T	A	B	C	D	E	H	L	
ADGA-07-04	7/16 – 20	1/4 – 19	33.5						16	
ADGA-08-04	1/2 – 20	1/4 – 19	33.5						16	
ADGA-09-04	9/16 – 18	1/4 – 19	33.5						16	
ADGA-12-04	3/4 – 16	1/4 – 19	36.5						22	
ADGA-09-06	9/16 – 18	3/8 – 19	36						19	
ADGA-12-06	3/4 – 16	3/8 – 19	38						22	
ADGA-14-06	7/8 – 14	3/8 – 19	41.5						26	
ADGA-09-08	9/16 – 18	1/2 – 14	40						22	
ADGA-12-08	3/4 – 16	1/2 – 14	42						22	
ADGA-14-08	7/8 – 14	1/2 – 14	44.5						26	
ADGA-14-12	7/8 – 14	3/4 – 14	49.5						29	
ADGA-17-12	1-1/16 – 12	3/4 – 14	52.5						29	
ADGA-19-12	1-3/16 – 12	3/4 – 14	54						32	
ADGA-21-12	1-5/16 – 12	3/4 – 14	54.5						35	
ADGA-17-16	1-1/16 – 12	1" – 11	55						35	
ADGA-19-16	1-3/16 – 12	1" – 11	55.5						35	
ADGA-21-16	1-5/16 – 12	1" – 11	56						35	
ADGA-26-16	1-5/8 – 12	1" – 11	56.5						44	
ADGA-21-20	1-5/16 – 12	1-1/4 – 11	60.5						44	
ADGA-26-20	1-5/8 – 12	1-1/4 – 11	61.5						44	
ADGA-30-24	1-7/8 – 12	1-1/2 – 11	65						48	



Contents Page

ADGL SERIES – JIC-NPT ADAPTORS

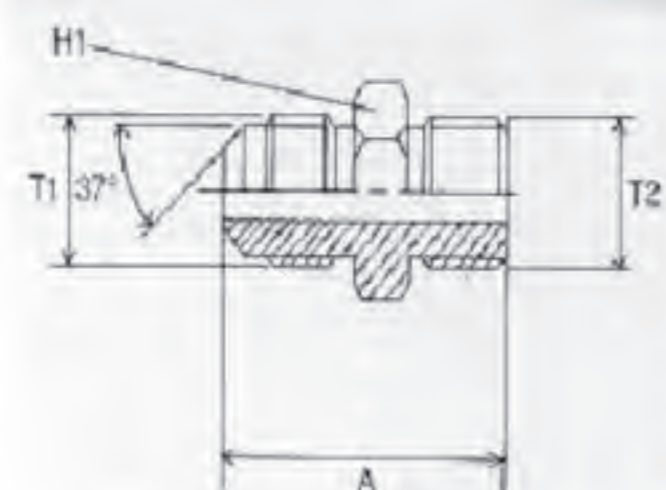
PART NUMBER	THREAD		DIMENSIONS mm							
	T1	T2	A	B	C	D	E	H	L	
ADGL-07-04	7/16 – 20	1/4 – 18	35						16	
ADGL-08-04	1/2 – 20	1/4 – 18	35						16	
ADGL-09-04	9/16 – 18	1/4 – 18	35.5						16	
ADGL-09-06	9/16 – 18	3/8 – 18	35.5						19	
ADGL-12-06	3/4 – 16	3/8 – 18	37.5						22	
ADGL-14-06	7/8 – 14	3/8 – 18	41.5						26	
ADGL-12-08	3/4 – 16	1/2 – 14	43.5						22	
ADGL-14-08	7/8 – 14	1/2 – 14	46						26	
ADGL-17-08	1-1/16 – 12	1/2 – 14	50.5						29	
ADGL-12-12	3/4 – 16	3/4 – 14	45						29	
ADGL-14-12	7/8 – 14	3/4 – 14	47.5						29	
ADGL-17-12	1-1/16 – 12	3/4 – 14	50.5						29	
ADGL-19-12	1-3/16 – 12	3/4 – 14	51						32	
ADGL-21-12	1-5/16 – 12	3/4 – 14	51.5						35	
ADGL-17-16	1-1/16 – 12	1" – 11-1/2	55.5						35	
ADGL-19-16	1-3/16 – 12	1" – 11-1/2	56						35	
ADGL-21-16	1-5/16 – 12	1" – 11-1/2	60						35	
ADGL-26-16	1-5/8 – 12	1" – 11-1/2	59						44	
ADGL-21-20	1-5/16 – 12	1-1/4 – 11-1/2	60						44	
ADGL-26-20	1-5/8 – 12	1-1/4 – 11-1/2	60						44	
ADGL-30-20	1-7/8 – 12	1-1/4 – 11-1/2	56.5						48	



Contents Page

ADNB SERIES – 'O'-RING BOSS – BSPP ADAPTORS

PART NUMBER	THREAD		DIMENSIONS mm							
	T1	T2	A	B	C	D	E	H		
ADNB-09-04	9/16 – 18	1/4 – 19	29						19	
ADNB-09-06	9/16 – 18	3/8 – 19	30.5						19	
ADNB-12-06	3/4 – 16	3/8 – 19	32.5						22	
ADNB-12-08	3/4 – 16	1/2 – 14	36						22	
ADNB-14-08	7/8 – 14	1/2 – 14	39						26	
ADNB-17-08	1-1/16 – 12	1/2 – 14	43						32	
ADNB-17-12	1-1/16 – 12	3/4 – 14	46						32	
ADNB-21-12	1-5/16 – 12	3/4 – 14	46						38	
ADNB-21-16	1-5/16 – 12	1" – 11	49.5						38	
ADNB-26-20	1-5/8 – 12	1-1/4 – 11	54.5						48	
ADNB-30-24	1-7/8 – 12	1-1/2 – 11	56.5						57	



Contents Page

ADGN SERIES – JIC – 'O'-RING BOSS ADAPTORS

PART NUMBER	THREAD		DIMENSIONS mm							
	T1	T2	A	B	C	D	E	H1	H2	
ADGN-07-07	7/16 – 20	7/16 – 20	30					16		
ADGN-08-08	1/2 – 20	1/2 – 20	30					16		
ADGN-09-09	9/16 – 18	9/16 – 18	32.5					19		
ADGN-12-09	3/4 – 16	9/16 – 18	35					22		
ADGN-08-12	1/2 – 20	3/4 – 16	34					22		
ADGN-09-12	9/16 – 18	3/4 – 16	34					22		
ADGN-12-12	3/4 – 16	3/4 – 16	36.5					22		
ADGN-14-12	7/8 – 14	3/4 – 16	36.5					26		
ADGN-17-12	1-1/16 – 12	3/4 – 16	41.5					29		
ADGN-08-14	1/2 – 20	7/8 – 14	35.7					26		
ADGN-09-14	9/16 – 18	7/8 – 14	35.7					26		
ADGN-12-14	3/4 – 16	7/8 – 14	39.7					26		
ADGN-14-14	7/8 – 14	7/8 – 14	42.5					26		
ADGN-17-14	1-1/16 – 12	7/8 – 14	45.5					29		
ADGN-19-14	1-3/16 – 12	7/8 – 14	46					32		
ADGN-12-17	3/4 – 16	1-1/16 – 12	43.5					32		
ADGN-14-17	7/8 – 14	1-1/16 – 12	46					32		
ADGN-17-17	1-1/16 – 12	1-1/16 – 12	49					32		
ADGN-21-17	1-5/16 – 12	1-1/16 – 12	50					35		
ADGN-14-19	7/8 – 14	1-3/16 – 12	46					35		
ADGN-17-19	1-1/16 – 12	1-3/16 – 12	49					35		
ADGN-19-19	1-3/16 – 12	1-3/16 – 12	49					35		
ADGN-21-19	1-5/16 – 12	1-3/16 – 12	50					35		
ADGN-17-21	1-1/16 – 12	1-5/16 – 12	50					38		
ADGN-21-21	1-5/16 – 12	1-5/16 – 12	51					38		
ADGN-26-21	1-5/8 – 12	1-5/16 – 12	52					44		
ADGN-17-26	1-1/16 – 12	1-5/8 – 12	50					48		
ADGN-26-30	1-5/8 – 12	1-7/8 – 12	52					57		
ADGN-30-30	1-7/8 – 12	1-7/8 – 12	55.5					57		

SOLID PIECE RANGE AND CATERPILLAR® RANGE

PART NUMBER

- S006-23-16 (VL) L5"
- S023-08-08 (VS)
- S023-08-08 (VL)
- S023-08-12 (VL)
- S023-09-08 (VS)
- S023-10-08 (VS)
- S023-10-10 (VS)
- S023-10-10 (VL)
- S023-12-10 (VL)
- S023-12-08 (VS)
- S023-12-08 (VL)
- S023-12-10 (VS)
- S023-12-10 (VL)
- S023-12-12 (VL)
- S023-12-12 (VL) L3"
- S023-12-12 (VL) L4"
- S023-12-12 (VL) L5"
- S023-12-16 (VL)
- S023-14-08 (VS)
- S023-14-08 (VL)
- S023-14-12 (VL)
- S023-14-12 (VL) HD
- S023-14-16 (VL)
- S023-16-12 (VL)
- S023-16-12 (VL) L3"
- S023-16-12 (VL) L4"
- S023-16-16 (VL) NH
- S023-16-16 (VL)
- S023-16-16 (VL) L3"
- S023-16-16 (VL) L4"
- S023-16-20 (VL)
- S023-18-12 (VL)
- S023-18-12 (VL) HD
- S023-18-16 (VL) L4"
- S023-18-16 (VL)
- S023-18-16 (VL) HD
- S023-20-16 (VL)
- S023-20-20 (VL) L4"
- S023-20-20 (VL)
- S023-20-24 (VL)
- S023-22-16 (VL)
- S023-22-16 (VL) HD
- S023-22-20 (VL)
- S023-22-20 (VL) HD
- S023-24-20 (VL)
- S023-24-24 (VL)
- S023-26-20 (VL)
- S023-26-20 (VL) HD
- S023-26-24 (VL)
- S023-26-24 (VL) HD
- S023-32-24 (VL)
- S023-32-32 (VL)
- S023-40-32 (VL)
- S051-04-04 (VS)
- S051-04-05 (VS)





SOLID PIECE RANGE AND CATERPILLAR® RANGE

PART NUMBER

- S051-04-06 (VS)
- S051-06-05 (VS)
- S051-06-06 (VS)
- S051-08-06 (VS)
- S051-08-08 (VS)
- S051-10-08 (VS)
- S051-10-10 (VS)
- S051-12-12 (VS)
- S051-12-12 (VL)
- S051-16-12 (VS)
- S051-16-16 (VS)
- S051-16-16 (VL)
- S051-20-20 (VS)
- S051-20-20 (VL)
- S051-24-24 (VS)
- S051-24-24 (VL)
- S051-32-32 (VL)
- S053-10-06 (VS)
- S055-07-04 (VS)
- S055-08-04 (VS)
- S055-08-05 (VS)
- S055-08-06 (VS)
- S055-09-04 (VS)
- S055-09-05 (VS)
- S055-09-06 (VS)
- S055-09-06 (VS) L3"
- S055-09-06 (VS) L4"
- S055-09-06 (VS) L5"
- S055-09-06 (VS) L6"
- S055-12-06 (VS)
- S055-12-06 (VS) L3"
- S055-12-06 (VS) L4"
- S055-12-08 (VS)
- S055-14-06 (VS)
- S055-14-08 (VS)
- S055-14-10 (VS)
- S055-17-08 (VS)
- S055-17-10 (VS)
- S055-17-12 (VS)
- S055-17-12 (VL)
- S055-21-12 (VL)
- S055-21-16 (VS)
- S055-21-16 (VL)
- S055-26-20 (VS)
- S055-26-20 (VL)
- S055-30-24 (VL)
- S056-09-04 (VS)
- S056-11-06 (VS)
- S056-13-08 (VS)
- S056-16-08 (VS)
- S056-16-10 (VS)
- S056-19-12 (VL)
- S056-19-12 (VL) L3"
- S056-19-12 (VL) L4"



SOLID PIECE RANGE AND CATERPILLAR® RANGE

PART NUMBER

- S056-23-16 (VL)
- S056-27-20 (VL)
- S059-08-08 (VS)
- S059-08-08 (VS) L3"
- S059-08-08 (VS) L5"
- S059-08-08 (VL)
- S059-08-12 (VL) L5"
- S059-10-08 (VS)
- S059-10-10 (VS)
- S059-10-10 (VL)
- S059-12-08 (VS)
- S059-12-08 (VL)
- S059-12-10 (VS)
- S059-12-12 (VL)
- S059-12-12 (VL) L3"
- S059-12-12 (VL) L4"
- S059-12-12 (VL) L5"
- S059-12-12(VL) L6"
- S059-12-16 (VL)
- S059-12-16 (VL) L4"
- S059-12-16 (VL) L5"
- S059-14-08 (VS)
- S059-14-12 (VL)
- S059-14-12 (VL) L4"
- S059-14-12 (VL) L5"
- S059-14-12 (VL) HD
- S059-14-16 (VL)
- S059-16-12 (VL)
- S059-16-12 (VL) L3 1/2"
- S059-16-16 (VL)
- S059-16-16 (VL) L4"
- S059-16-16 (VL) L5"
- S059-16-16 (VL) L6"
- S059-16-20 (VL)
- S059-18-12 (VL)
- S059-18-12 (VL) HD
- S059-18-16 (VL)
- S059-18-16 (VL) L4"
- S059-18-16 (VL) L5"
- S059-18-16 (VL) L6"
- S059-18-16 (VL) HD
- S059-20-16 (VL)
- S059-20-16 (VL) L3"
- S059-20-16 (VL) L4"
- S059-20-16 (VL) L6"
- S059-20-20 (VL) L5"
- S059-20-20 (VL)
- S059-20-24 (VL)
- S059-22-16 (VL)
- S059-22-16 (VL) HD
- S059-22-20 (VL)
- S059-22-20 (VL) HD
- S059-24-16 (VL)
- S059-24-20 (VL)





SOLID PIECE RANGE AND CATERPILLAR® RANGE

PART NUMBER

- S059-24-24 (VL)
- S059-26-20 (VL)
- S059-26-20 (VL) HD
- S059-26-24 (VL)
- S059-26-24 (VL) HD
- S059-32-20 (VL)
- S059-32-24 (VL)
- S059-32-32 (VL)
- S060-04-04 (VS)
- S060-06-04 (VS)
- S060-06-05 (VS)
- S060-06-06 (VS)
- S060-08-06 (VS)
- S060-08-08 (VS)
- S060-10-08 (VS)
- S060-10-10 (VS)
- S060-12-12 (VS)
- S060-12-12 (VL)
- S060-16-16 (VS)
- S060-16-16 (VL)
- S060-20-20 (VL)
- S060-24-24 (VL)
- S060-32-32 (VL)
- S062-08-08 (VS)
- S062-12-08 (VL)
- S062-12-12 (VL)
- S062-14-12 (VL)
- S062-16-12 (VL)
- S062-16-16 (VL)
- S062-18-16 (VL)
- S062-20-16 (VL)
- S062-20-20 (VL)
- S062-24-24 (VL)
- S062-26-20 (VL)
- S062-32-32 (VL)
- S063-08-08 (VS)
- S063-12-08 (VL)
- S063-12-12 (VL)
- S063-14-12 (VL)
- S063-16-12 (VL)
- S063-16-16 (VL)
- S063-18-12 (VL) HD
- S063-18-16 (VL)
- S063-18-16 (VL) HD
- S063-20-16 (VL)
- S063-20-20 (VL)
- S063-22-16 (VL) HD
- S063-22-20 (VL) HD
- S063-24-20 (VL)
- S063-24-24 (VL)
- S063-26-20 (VL)
- S063-26-20 (VL) HD
- S063-32-32 (VL)



SOLID PIECE RANGE AND CATERPILLAR® RANGE

PART NUMBER

- S064-07-04 (VS)
- S064-08-04 (VS)
- S064-08-05 (VS)
- S064-08-06 (VS)
- S064-09-04 (VS)
- S064-09-05 (VS)
- S064-09-06 (VS)
- S064-12-06 (VS)
- S064-12-08 (VS)
- S064-14-08 (VS)
- S064-14-10 (VS)
- S064-17-08 (VS)
- S064-17-10 (VS)
- S064-17-12 (VL)
- S064-17-12 (VS)
- S064-21-12 (VL)
- S064-21-16 (VS)
- S064-21-16 (VL)
- S064-26-20 (VS)
- S064-26-20 (VL)
- S066-08-08 (VS)
- S066-09-08 (VS)
- S066-12-12 (VL)
- S066-14-08 (VS)
- S066-16-12 (VL)
- S066-16-16 (VL)
- S066-18-12 (VL)
- S066-18-12 (VL) HD
- S066-18-12 (VS)
- S066-18-16 (VL) HD
- S066-20-16 (VL)
- S066-20-20 (VL)
- S066-22-16 (VL)
- S066-22-16 (VL) HD
- S066-22-20 (VL)
- S066-22-20 (VL) HD
- S066-24-20 (VL)
- S066-24-24 (VL)
- S066-26-20 (VL)
- S066-32-24 (VL)
- S066-32-32 (VL)
- S067-08-08 (VS)
- S067-12-08 (VS)
- S067-12-12 (VL)
- S067-16-12 (VL)
- S067-16-16 (VL)
- S067-18-16 (VL)
- S067-20-16 (VL)
- S067-20-20 (VL)
- S067-24-20 (VL)
- S067-24-24 (VL)
- S067-26-20 (VL) HD
- S067-32-24 (VL)
- S067-32-32 (VL)





SOLID PIECE RANGE AND CATERPILLAR® RANGE

PART NUMBER

- S068-08-08 (VS)
- S068-08-08 (VL)
- S068-09-08 (VS)
- S068-10-10 (VS)
- S068-10-10 (VL)
- S068-12-08 (VS)
- S068-12-08 (VL)
- S068-12-10(VS)
- S068-12-12 (VL) L4"
- S068-12-12 (VL)
- S068-14-08 (VS)
- S068-14-12 (VL)
- S068-14-12 (VL) HD
- S068-14-16 (VL)
- S068-16-12 (VL) L4"
- S068-16-12 (VL)
- S068-16-16 (VL) L4"
- S068-16-16 (VL)
- S068-18-12 (VL)
- S068-18-12 (VL) HD
- S068-18-16 (VL)
- S068-18-16 (VL) HD
- S068-20-16 (VL)
- S068-20-20 (VL)
- S068-22-16 (VL)
- S068-22-16 (VL) HD
- S068-22-20 (VL)
- S068-22-20 (VL) HD
- S068-24-20 (VL)
- S068-24-16 (VL)
- S068-24-20 (VL)
- S068-24-24 (VL)
- S068-26-20 (VL)
- S068-26-20 (VL) HD
- S068-26-24 (VL)
- S068-26-24 (VL) HD
- S068-32-24 (VL)
- S068-32-32 (VL)
- S526-04-04 (VS)
- S526-06-06 (VS)
- S526-08-08 (VS)
- S526-12-12 (VS)
- S526-16-16 (VS)
- S603-10-06 (VS)
- S666-11-06 (VS)
- S666-13-08 (VS)
- S851-12-04 (VS)
- S851-16-06 (VS)
- S851-22-08 (VS)
- S853-12-04 (VS)
- S853-14-04 (VS)
- S853-16-06 (VS)
- S853-22-08 (VS)



SOLID PIECE RANGE AND CATERPILLAR[®] RANGE

PART NUMBER

- S856-18-06 (VS)
- S856-18-16 (VS)
- S861-18-06 (VS)
- S861-22-08 (VS)
- S863-14-06 (VS)
- S863-16-06 (VS)
- S863-18-06 (VS)
- S863-22-08 (VS)
- S864-22-08 (VS)
- S864-24-08 (VS)
- S865-24-08 (VS)
- S866-18-06 (VS)
- S875-14-04 (VS)
- S875-16-06 (VS)
- S875-18-06 (VS)
- S875-20-06 (VS)
- S875-20-08 (VS)
- S875-22-08 (VS)



Contents Page

- (VS) Solid piece – standard tail
- (VL) Solid piece – multispiral tail
- HD Heavy Duty Nut Fittings or Caterpillar[®] or 9000 series